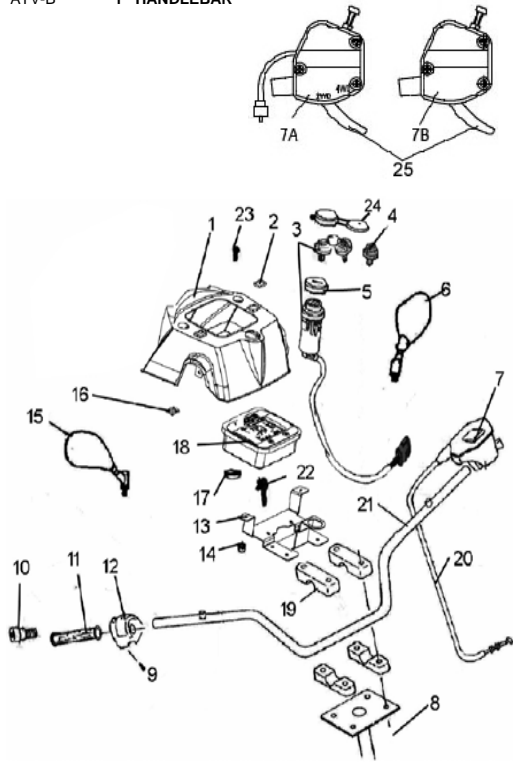


VERSION NUMBER: 08.12.03

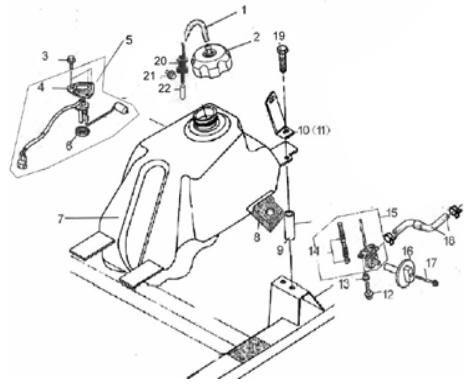
PARTS MANUAL

LH400ATV-2B(IRS) INDEPENDENT REAR SUSPENSION



| REF. No. | PART No. | DESCRIPTION | Q'TY | 图号 | PART No. |
|----------|----------|--|------|------------------|-----------------|
| 1 | 25001 | SPEEDOMETER COVER | 1 | LH260ATV-B.2-1 | 8K002000001 101 |
| 2 | 70425 | EMERGENT SWITCH | 1 | LH520ATV.23.7 | 8G023070000 102 |
| 3 | 30110 | IGNITION SWITCH WITH KEY | 1 | LH260ATV.19.9B | 8E01909B000 103 |
| 4 | 25003 | KEY BLANK | 1 | LH260ATV.19.9B | 8E01909B010 104 |
| 5 | 25004 | THREADED NUT | 1 | LH260ATV.19.9B | 8E01909B000 105 |
| 6 | 30117 | REAR VIEW MIRROR RIGHT (ONLY FOR EUROPE) | 1 | | T000302R 106 |
| 7A | 20109A | THROTTLE CONTROL (WITH 2WD/4W | 1 | LH260ATV.5.2C | 8E005020000 107 |
| 7B | 27280 | THROTTLE CONTROL (2WD)(SEE PIC | 1 | LH260ATV.5.2b | 8E005020000 108 |
| 8 | 10079 | NUT M8 | 4 | GB/T6187 | B015508 109 |
| 9 | 10140 | BOLT M6X12 | 1 | GB/T16674.1 | B01040612 110 |
| 10 | 30119 | GRIP END. | 2 | LH150T.11-1 | 2U011000001 111 |
| 11 | 30515 | GRIP | 2 | | T001004 112 |
| 12 | 25523 | SWITCH ASSY | 1 | LH260ATV.19.6E | 8E01906E000 113 |
| 13 | 25008 | SPEEDOMETER BRACKET | 1 | LH260ATV-B.23-18 | K023000001 115 |
| 14 | 10004 | NUT M6 | 2 | GB/T6187 | B015506 116 |
| 15 | 30118 | REAR VIEW MIRROR LEFT (ONLY FOR EUROPE) | 1 | | T000302L 117 |
| 16 | 25010 | SPEEDOMETER COVER CAP | 1 | LH520ATV.23.7.1 | 8G023070100 118 |
| 17 | 25011 | WASHER | 2 | LH520ATV.2-31 | 8G002000031 119 |
| 18 | 27391 | LCD SPEEDOMETER (FOR EUROPE) | 1 | LH260ATV.19.15f | 8K023050000 120 |
| | 25012 | LCD SPEEDOMETER (FOR USA) | 1 | LH260ATV-B.23.f | 8K02305a000 121 |
| 19 | 20112A | HANDLEBAR CLAMP | 4 | LH260ATV.5-2 | 8E005000002 122 |
| 20 | 27296 | THROTTLE CABLE(FOR TOP PULL CA | 1 | LH400ATV.5.2 | 123 |
| 21 | 27385 | HANDLEBAR | 1 | LH400ATV-2B.5.1 | 124 |
| 22 | 10139 | BOLT M8X65 | 4 | GB/T5782 | B01060865 125 |
| 23 | 25013 | SCREW M6X12 | 2 | GB818-M6X10 | B02020610 126 |
| 24 | 27257 | IGNITION SWITCH COVER | 1 | LH260ATV.19.13. | 8E019130100 127 |
| 25 | 27279 | THROTTLE CONTROL LEVER(FOR N | 1 | LH260ATV.5.2-6 | 8E005020006 128 |

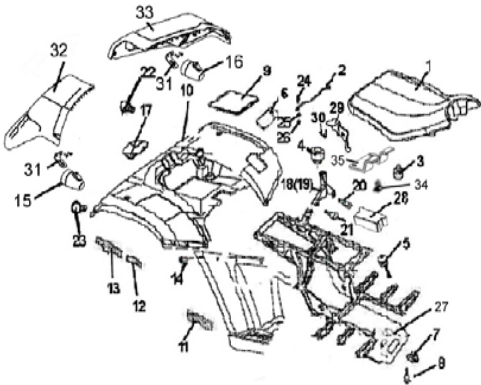
2 FUEL TANK



| REF. No. | PART NO. | DESCRIPTION | Q'TY | 图号 | PART No. |
|----------|----------|--------------------------|------|-----------------|-----------------|
| 1 | 29652 | TUBE,FUEL CAP BREATHER | 1 | LH50ATV.8-5 | 8A008000005 201 |
| 2 | 70725 | FUEL CAP | 1 | LH520ATV.8.3 | 8G008030000 202 |
| 3 | 10140 | BOLT M6X12 | 3 | GB/T16674.1 | B01040612 203 |
| 4 | 25019 | PLATE, UNIT SET | 1 | LH260ATV-B.23.£ | 8K023050001 204 |
| 5 | 25020 | FUEL UNIT SET ASSY | 1 | LH260ATV-B.23.£ | 8K023050000 205 |
| 6 | 25021 | GASKET, BASE | 1 | LH260ATV-B.23.£ | 8K023050002 206 |
| 7 | 25022 | FUEL TANK | 1 | LH260ATV-B.8.1 | 8K008010000 207 |
| 8 | 20209 | FOAM PAD | 1 | LH260ATV.8-1 | 8E008000001 208 |
| 9 | 20210 | SPACER | 2 | LH260ATV.8-2 | 8E008000002 209 |
| 10 | 25023 | MOUNTING BRACKET LEFT | 1 | LH260ATV-B.8-1 | 8K008000001 210 |
| 11 | 25024 | MOUNTING BRACKET RIGHT | 1 | LH260ATV-B.8-2 | 8K008000002 211 |
| 12 | 10140 | BOLT M6X12 | 2 | GB/T16674.1 | B01040612 212 |
| 13 | 70742 | COLLAR | 2 | LH520ATV.8-9 | 8G008000009 213 |
| 14 | 25027 | SCREW SET, FUEL STRAINER | 1 | LH260ATV-B.8.2- | 8K008020008 214 |
| 15 | 25028 | | 1 | LH260ATV-B.8.2- | 8K008020011 215 |
| 16 | 25029 | PETCOCK ASSY | 1 | LH260ATV-B.8.2- | 8K008020007 216 |
| 17 | 25030 | LEVER, PETCOCK | 1 | LH260ATV-B.8.2- | 8K008020001 217 |
| 18 | 25031 | SCREW-WASHER | 1 | LH260ATV-B.8.2. | 8K008020100 218 |
| 19 | 27255 | TUBE,FUEL | 1 | LH200ATV-B.8-1 | 219 |
| 20 | 10005 | BOLT M6X60 | 2 | GB/T16674.1-M6; | B01040660 220 |
| 21 | 710,021 | VALVE,TANK, FUEL | 1 | LH125T-12.11.5 | 2T011050000 221 |
| 22 | 25039 | BOLT M5X10 | 1 | GB/T16674.1 | B01040510 223 |
| 22 | 70734 | TUBE | 1 | LH520ATV.8-12 | 8G008000012 222 |

THERE ARE TOW FULL FITTINGS ON THE FUEL TANKS AND THE

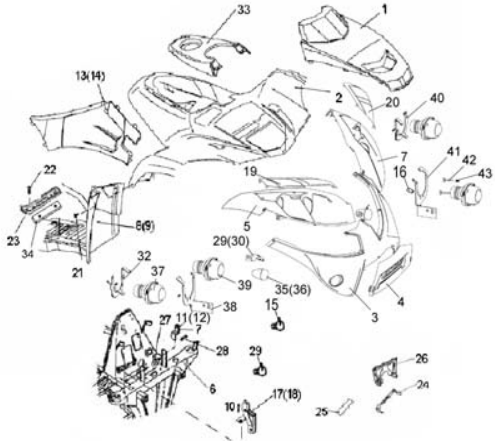
3 REAR FENDERS



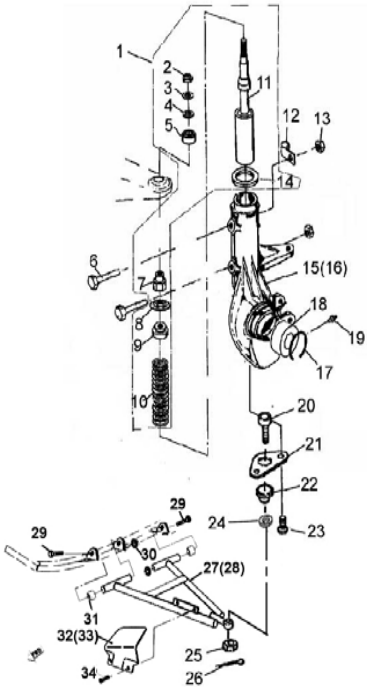
| REF. No. | PART No. | DESCRIPTION | Q'TY | 图号 | PART No. |
|----------|----------|-----------------------------------|------|------------------|-----------------|
| 1 | 25040 | SEAT | 1 | LH260ATV-B.9.1 | 8K009010000 301 |
| 2 | 25041 | LATCH ASSEMBLY | 1 | LH260ATV-B.9-4 | 8K009000004 302 |
| 3 | 25042 | RUBBER, SEAT SETTING 1 | 6 | LH260ATV-B.9-1 | 8K009000001 303 |
| 4 | 70445 | RUBBER, SEAT SETTING 2 | 2 | LH520ATV.2-32 | 8G002000032 304 |
| 5 | 20316 | RUBBER PAD | 8 | LH260ATV.1.15 | 8E001150000 305 |
| 6 | 25044 | TOOL | 1 | LH260ATV-B.GJ. | 8K0GJ010000 306 |
| 7 | 20331 | WASHER 6 | 7 | LH260ATV.2-27 | 8E002000027 307 |
| 8 | 10191 | BOLT M6X18 | 9 | GB/T16674.1-M6 | B01040618 308 |
| 9 | 25045 | TOOL BOX CAP | 1 | LH260ATV-B.2-9 | 8K002000009 309 |
| 10 | 27381 | REAR FENDER | 1 | LH260ATV.2-6A | 8K002000006 310 |
| 11 | 25047 | FOOTREST RIGHT ADIABATIC PELLIC | 1 | LH260ATV-B.2-12 | 8K002000012 311 |
| 12 | 25048 | REAR MUD ADIABATIC PELLICLE 1 | 1 | LH260ATV-B.2-14 | 8K002000014 312 |
| 13 | 25049 | REAR MUD ADIABATIC PELLICLE 2 | 1 | LH260ATV-B.2-13 | 8K002000013 313 |
| 14 | 10420 | SCREW M6X16 | 8 | GB/T818 M6X16 | B02020616 314 |
| 15 | 27367 | LEFT REAR INDICATION LIGHT | 1 | LH400ATV-2B.23.2 | 315 |
| 16 | 27368 | RIGHT REAR INDICATION LIGHT | 1 | LH400ATV-2B.23.3 | 316 |
| 17 | 25053 | TAILLIGHT | 1 | LH260ATV-B.23.2 | 8K023020000 317 |
| 18 | 25054 | TRESTLE RIGHT | 1 | LH260ATV-B.22.3 | 8K022030000 318 |
| 19 | 25055 | TRESTLE LEFT | 1 | LH260ATV-B.22.2 | 8K022020000 319 |
| 20 | 25056 | BOLT M8X70 | 2 | GB/T16674.1 | B01040870 320 |
| 21 | 10055 | BOLT M8X45 | 2 | GB/T16674.1 | B01040845 321 |
| 22 | 22017 | TAILLIGHT BULB 12V 21W/5W | 1 | 12V 21W/5W | B31121W5 322 |
| 23 | 25091 | REAR INDICATION LIGHT BULB 12V10W | 2 | 12V 10W | B31110W 323 |
| 24 | 10140 | BOLT M6X12 | 2 | GB/T16674.1 M6 | B01040612 324 |
| 25 | 10006 | WASHER 6 | 2 | GB/T97.1 | B025306 325 |
| 26 | 10004 | NUT | 2 | GB/T6187 | B015506 326 |
| 27 | 27312 | PLASTIC PLANT | 1 | LH400ATV-2.2-26 | 327 |
| 28 | 27260 | BATTERY COVER | 1 | LH260ATV.2-19 | 8E002000019 328 |
| 29 | 70801 | HOOK BRACKET, SEAT LOCK | 1 | LH520ATV.9.1.1 | 329 |
| 30 | 70802 | SPRING | 1 | LH520ATV.9.1-2 | 330 |
| 31 | 27362 | REAR INDICATION LIGHT BRACKET | 2 | LH400ATV-2B.2-15 | 331 |
| 32 | 27383 | TAILLIGHT COVER, R | 1 | LH400ATV-2B.2-8 | 332 |
| 33 | 27382 | TAILLIGHT COVER, L | 1 | LH400ATV-2B.2-7 | 333 |
| 34 | 10178 | SCREW M6X16 ST4.2X13 | 2 | GB/T845 ST4.2X13 | 334 |
| 35 | 70803 | BAFFLE.SEAT | 1 | LH520ATV.9.1-3 | 335 |

4 FRONT BODY&FRAM

| REF. No. | PART NO. | DESCRIPTION | Q'TY | 图号 | PART No. |
|----------|----------|----------------------------------|------|--------------------|-----------------|
| 1 | 25064 | FRONT COVER | 1 | LH260ATV-B.2-2 | 8K002000002 401 |
| 2 | 27380 | FRONT BODY | 1 | LH260ATV.2-5B | 402 |
| 3 | 27357 | PLASTIC BUMPER | 1 | LH400ATV-2B.2-1 | 403 |
| 4 | 27363 | FRONT COVER | 1 | LH400ATV-2B.2-2 | 404 |
| 5 | 27365 | PROTECTOR.R.HEADLIGHT | 1 | LH400ATV-2B.2-3 | 405 |
| 6 | 27348 | FRAME COMP. | 1 | LH400ATV-2B.1.1 | 406 |
| 7 | 27376 | PROTECTOR.L.HEADLIGHT | 1 | LH400ATV-2B.2-4 | 407 |
| 8 | 25071 | FOOTREST RIGHT | 1 | LH260ATV-B.2-8 | 8K002000008 408 |
| 9 | 25072 | FOOTREST LEFT | 1 | LH260ATV-B.2-7 | 8K002000007 409 |
| 10 | 10140 | BOLT M6X12 | 2 | GB/T16674.1 | B01040612 410 |
| 11 | 27350 | FRONT BODY BRACKET R | 1 | LH400ATV-2B.1-2 | 411 |
| 12 | 27390 | FRONT BODY BRACKET L | 1 | LH400ATV-2B.1-1 | 412 |
| 13 | 25076 | SIDE COVER R | 1 | LH260ATV-B.2-4 | 8K002000004 413 |
| 14 | 25077 | SIDE COVER L | 1 | LH260ATV-B.2-3 | 8K002000003 414 |
| 15 | 22371 | BULB,HEADLIGHT 35W/35W | 4 | | 415 |
| 16 | 27371 | BALL JOINT, HEADLIGHT | 4 | LH400ATV-2B.23.5.1 | 416 |
| 17 | 27360 | TRESTLE R | 1 | LH400ATV-2B.21.2 | 417 |
| 18 | 27358 | TRESTLE L | 1 | LH400ATV-2B.21.1 | 418 |
| 19 | 27388 | SIDE COVER,R.HEADLIGHT | 1 | LH400ATV-2B.2-4 | 8K023010000 419 |
| 20 | 27389 | SIDE COVER,L.HEADLIGHT | 1 | LH400ATV-2B.2-4 | 8K023060000 420 |
| 21 | 10420 | SCREW M6X16 | 8 | GB/T818 M6X16 | B02020616 421 |
| 22 | 10127 | SCREW M6X20 | 4 | GB/T818 M6X20 | B02020620 422 |
| 23 | 70336 | STEP | 2 | LH520ATV.1-6 | 8G001000006 423 |
| 24 | 20413 | DOWN BRACKET RADIATOR | 1 | LH260ATV.1-1 | 8E001000001 424 |
| 25 | 20414 | SPACER RUBBER | 1 | LH260ATV.1-10 | 8E001000010 425 |
| 26 | 20412 | UP BRACKET RADIATOR | 1 | LH260ATV.1-2 | 8E001000002 426 |
| 27 | 10004 | NUT M6 | 2 | GB/T6187 | B015506 427 |
| 28 | 10140 | BOLT M6X12 | 2 | GB/T16674.1 | B01040612 428 |
| 29 | 27384 | FRONT INDICATOR LIGHT BRACKET, R | 1 | LH400ATV-2B.2-9 | 429 |
| 30 | 27361 | FRONT INDICATOR LIGHT BRACKET, L | 1 | LH400ATV-2B.2-10 | 430 |
| 31 | 32045 | FRONT INDICATOR LIGHT BULB 12V | 2 | 12V 10W | B31110Y 431 |
| 32 | 27353 | HIGH BEAM BRACKET, R | 1 | LH400ATV-2B.2.1 | 432 |
| 33 | 25093 | COVER,FUEL TANK TOP | 1 | LH260ATV-B.2-11 | 8K002000011 433 |
| 34 | 70300 | RUBBER WASHER | 2 | LH520ATV.1-3 | 8G001000003 434 |
| 35 | 27374 | FRONT INDICATOR LIGHT R (ONLY F) | 1 | LH400ATV-2B.23.6 | 435 |
| 36 | 27375 | FRONT INDICATOR LIGHT L (ONLY F) | 1 | LH400ATV-2B.23.7 | 436 |
| 37 | 27369 | HIGH BEAM | 2 | LH400ATV-2B.23.4 | 437 |
| 38 | 27354 | DIPPED HEADLIGHT BRACKET, R | 1 | LH400ATV-2B.2.2 | 438 |
| 39 | 27370 | DIPPED HEADLIGHT | 2 | LH400ATV-2B.23.5 | 439 |
| 40 | 27356 | HIGH BEAM BRACKET, L | 1 | LH400ATV-2B.2.4 | 440 |
| 41 | 27355 | DIPPED HEADLIGHT BRACKET, L | 1 | LH400ATV-2B.2.3 | 441 |
| 42 | 27372 | ADJUSTMENT BOLT, HEADLIGHT | 8 | LH400ATV-2B.23.5-1 | 442 |
| 43 | 27373 | SPRING | 8 | LH400ATV-2B.23.5-2 | 443 |

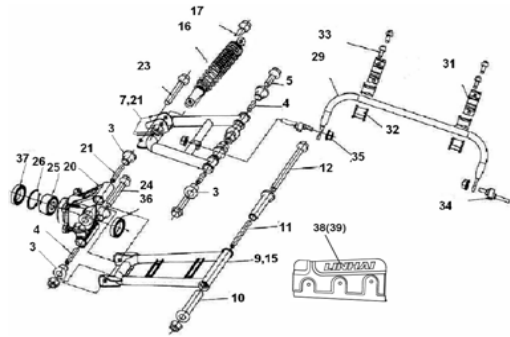


3 SHOCK ABSORBER FRONT



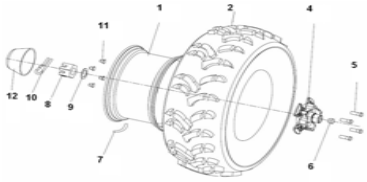
| REF. No. | PART NO. | DESCRIPTION | Q'TY | 图号 | |
|----------|----------|-------------------------------|------|-----------------------------|-----|
| 1 | 26907 | FRONT SHOCK ABSORBER ASSEMBLY | 2 | LH300CUV.3.1 | 501 |
| 2 | 10091 | NUT M14X1.5 | 2 | GB/T6184-M14X1.5 | 502 |
| 3 | 10092 | WASHER 14 | 2 | LH260ATV.3.1-1 | 503 |
| 4 | 21803 | SPACER RUBBER | 2 | LH260ATV.3.1-2 | 504 |
| 5 | 21804 | UPPER PIVOT BALL | 2 | LH260ATV.3.1-3 | 505 |
| 6 | 10093 | BOLT M8X55 | 4 | GB/T5782-M8X55 | 506 |
| 7 | 21806 | NUT M14X1.5 | 2 | LH260ATV.3.1-6 | 507 |
| 8 | 21807 | LOWER PIVOT BALL | 2 | LH260ATV.3.1-4 | 508 |
| 9 | 21808 | SPRING RETAINER | 2 | LH260ATV.3.1-5 | 509 |
| 10 | 26909 | SPRING | 2 | LH300CUV.3.1-1 | 510 |
| 11 | 26908 | STRUT BUMPER | 2 | LH300CUV.3.1.1 | 511 |
| 12 | | CLAMP | 2 | | 512 |
| 13 | 10079 | NUT M8 | 4 | GB/T6187-M8 | 513 |
| 14 | 21813 | SPRING RETAINER | 2 | LH260ATV.3.1-9 | 514 |
| 15 | 26910 | STRUT BODY LEFT | 1 | LH300CUV.3.2-1 | 515 |
| 16 | 26911 | STRUT BODY RIGHT | 1 | LH300CUV.3.2-2 | 516 |
| 17 | 26912 | CIRCLIP | 2 | LH300CUV.3.2-3 | 517 |
| 18 | 26913 | BEARING | 2 | LH300CUV.3.3 | 518 |
| 19 | 10026 | GREASE FITTING | 2 | JB/T7940.1-M6 | 519 |
| 20 | 20512 | BALL JOINT STUD | 2 | LH260ATV.3.2.4 | 520 |
| 21 | 20513 | BALL JOINT MOUNTING BRACKET | 2 | LH260ATV.3.2-1 | 521 |
| 22 | 20514 | BALL JOINT CUP | 2 | LH260ATV.3.2.-2 | 522 |
| 23 | 10022 | BOLT M6X12 | 4 | GB/T819.1-M6X12 | 523 |
| 24 | 10019 | WASHER | 2 | GB/T97.1 | 524 |
| 25 | 27276 | NUT M10X1.25 | 2 | LH260ATV.3.2-3 | 525 |
| 26 | 27215 | COTTER PIN 2.5X25 | 2 | GB/T91-2.5X25 | 526 |
| 27 | 20518F | A-ARM LEFT | 1 | LH260ATV.1.8a.1 8E00108a010 | 527 |
| 28 | 20627F | A-ARM RIGHT | 1 | LH260ATV.1.8a.2 8E00108a020 | 528 |
| 29 | 20522F | A-ARM PIVOT SHAFT | 2 | LH260ATV.1.8a-3 8E00108a000 | 529 |
| 30 | 10136 | NUT M12X1.25 | 4 | GB/T6187 B015512A | 530 |
| 31 | 20524F | BUSHING | 4 | LH260ATV.1.8a-1 8E00108a000 | 531 |
| 32 | 20519 | A - ARM SHIELD LEFT | 1 | LH260ATV.2-21 8E002000021 | 532 |
| 33 | 20628 | A - ARM SHIELD RIGHT | 1 | LH260ATV.2-22 8E002000022 | 533 |
| 34 | 10001 | SCREW M5X12 | 4 | GB/T818 B02020512 | 534 |

4. REAR ARM



| REF. No. | PART NO. | DESCRIPTION | Q'TY | 图号 | PART NO. |
|----------|----------|---------------------------|------|------------------|----------|
| 2 | 27324 | ARM ,L.RR | 1 | LH400ATV-2.4.1.1 | 601 |
| 3 | 70682 | BUSH 1, ARM ,R.RR | 16 | LH520ATV.4.1-1 | 602 |
| 4 | 70683 | COLLAR | 4 | LH520ATV.4.1-2 | 603 |
| 5 | 70684 | BOLT M10X1.25X80 | 4 | LH520ATV.4.1-3 | 604 |
| 7 | 27325 | ARM ,R.RR | 1 | LH400ATV-2.4.2.1 | 605 |
| 9 | 27326 | ARM SET,L.RR | 1 | LH400ATV-2.4.3.1 | 606 |
| 10 | 70665 | BUSH 2, ARM ,R.RR | 4 | LH520ATV.3.1-2 | 607 |
| 11 | 70687 | COLLAR,ARM | 2 | LH520ATV.4.3-2 | 608 |
| 12 | 70688 | BOLT M10M1.25M230 | 2 | LH520ATV.4.3-3 | 609 |
| 15 | 27327 | ARM SET,R.RR | 1 | LH400ATV-2.4.4.1 | 610 |
| 16 | 70690 | SHOCK ABSORBER ,RR | 2 | LH520ATV.4.5 | 611 |
| 17 | 27206 | BOLT M10X1.25X52 | 4 | GB/T16674.1 | 612 |
| 20 | 27334 | KNUCKLE,R.RR | 1 | LH520ATV.4.6-2 | 613 |
| 21 | 70692 | COLLAR,RR.KNUCKLE,(UPPER) | 2 | LH520ATV.4.6-3 | 614 |
| 22 | 70693 | COLLAR,RR.KNUCKLE,(LOWER) | 2 | LH520ATV.4.6-4 | 615 |
| 23 | 70694 | BOL,TKNUCKLE,(UPPER) | 2 | LH520ATV.4.6-5 | 616 |
| 24 | 70695 | BOL,TKNUCKLE,(LOWER) | 2 | LH520ATV.4.6-6 | 617 |
| 25 | 70674 | BEARING AU0712 | 2 | LH520ATV.3.6.2 | 618 |
| 26 | 27217 | CIRCLIP 58 | 2 | GB893.1 | 619 |
| 29 | 70696 | SPRING,RR.STABILIZER | 1 | LH520ATV.4.7.1-1 | 620 |
| 31 | 70697 | HOLDER,STABILIZER BUSH | 2 | LH520ATV.4.7-1 | 621 |
| 32 | 70698 | BUSH,RR.STABILIZER | 2 | LH520ATV.4.7-2 | 622 |
| 33 | 10081 | BOLT M8X20 | 4 | GB/T16674.1 | 623 |
| 34 | 70699 | LINK,RR. STABILIZER | 2 | LH520ATV.4.8 | 624 |
| 35 | 10015 | NUT M10X1.25 | 18 | GB/T6187 | 625 |
| 36 | 70675 | SEAL 61.5 43 11 | 2 | LH520ATV.3.6.3 | 626 |
| 37 | 70676 | SEAL 58 41.2 11 | 2 | LH520ATV.3.6.4 | 627 |
| 38 | 70554 | ARM PROTECT, L | 1 | LH520ATV.2-46 | 628 |
| 39 | 70556 | ARM PROTECT, R | 1 | LH520ATV.2-47 | 629 |

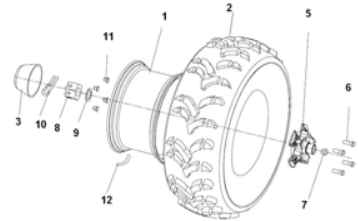
7 WHEEL FRONT



| REF. No. | PART NO. | DESCRIPTION | QTY | 图号 | PART NO. |
|----------|----------|--------------------|-----|------------------|----------|
| 1 | 27330 | WHEEL SUB-ASSY, FR | 2 | LH400ATV-2.6.2.1 | 701 |
| 2 | 27329 | TIRE FRONT | 2 | LH400ATV-2.6.2 | 702 |
| 4 | 27285 | HUB ASSY SHRT | 2 | LH300CUV.7-3A | 703 |
| 5 | 70714 | BOLT M12X1.25 | 16 | LH520ATV.6.2-2 | 704 |
| 6 | 70718 | SEAL | 2 | LH520ATV.7.2.1 | 705 |
| 7 | 20807 | VALVE, RIM | 4 | LH125T-8.2-3 | 706 |
| 8 | 70721 | BOLT SLOTTED | 4 | LH520ATV.7-1 | 707 |
| 9 | 70722 | WASHER | 2 | LH520ATV.7-2 | 708 |
| 10 | 26267 | PIN 4X32 | 2 | GB/T91 | 709 |
| 11 | 27335 | NUT, WHEEL | 16 | LH520ATV.7-7a | 710 |
| 12 | 70717 | CAP, WHEEL CENTER | 2 | LH520ATV.7.1-1 | 711 |

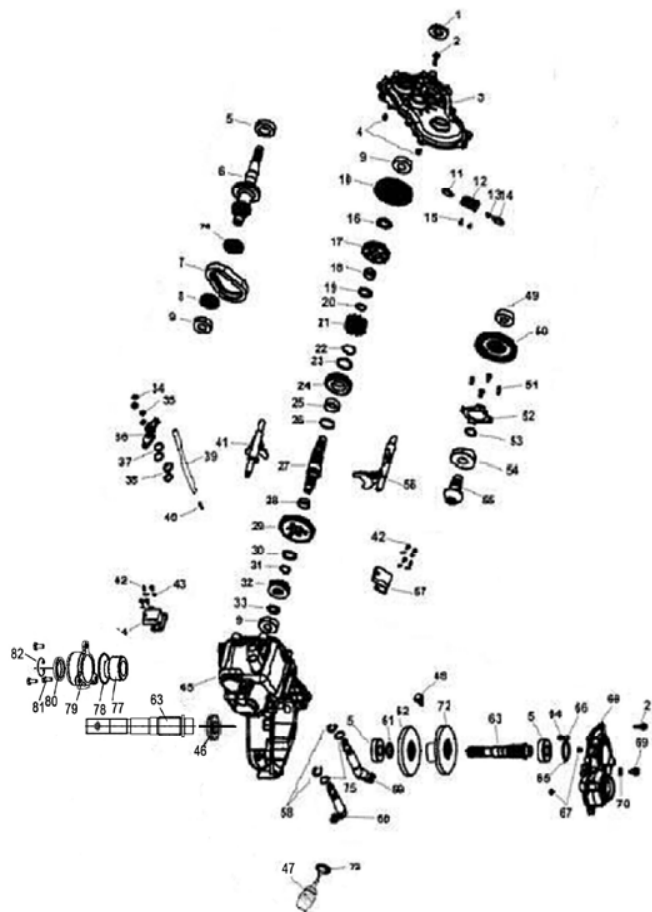
8

9 WHEEL REAR



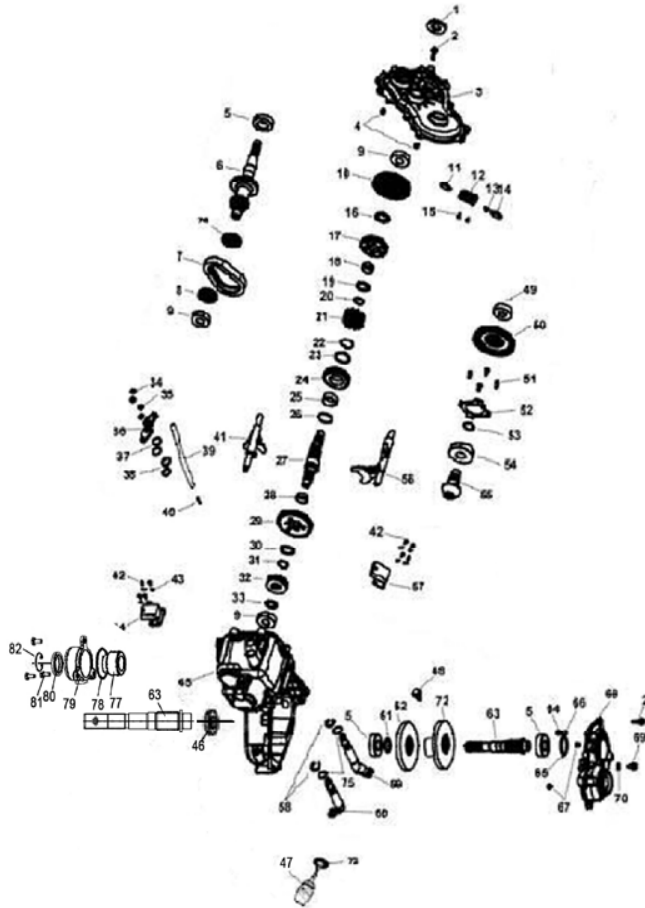
| REF. No. | PART NO. | DESCRIPTION | QTY | 图号 | PART NO. |
|----------|----------|---------------------|-----|------------------|----------|
| 1 | 27331 | WHEEL SUB-ASSY, RR | 2 | LH400ATV-2.7.1.1 | 801 |
| 2 | 27332 | TIRE, RR (25X10-12) | 2 | LH400ATV-2.7.2 | 802 |
| 3 | 70717 | CAP, WHEEL CENTER | 2 | LH520ATV.7.1-1 | 803 |
| 5 | 70719 | HUB, RR WHEEL | 2 | LH520ATV.7.2-1 | 804 |
| 6 | 70714 | BOLT M12X1.25 | 16 | LH520ATV.6.2-2 | 805 |
| 7 | 70718 | SEAL | 4 | LH520ATV.7.2.1 | 806 |
| 8 | 70721 | BOLT SLOTTED | 2 | LH520ATV.7-1 | 807 |
| 9 | 70722 | WASHER | 2 | LH520ATV.7-2 | 808 |
| 10 | 26267 | PIN 4X32 | 2 | GB/T91 | 809 |
| 11 | 27335 | NUT, WHEEL | 16 | LH520AYV.7-7a | 810 |
| 12 | 20807 | NUT, WHEEL | 2 | LH125T-8.2-3 | 811 |

11 TRANSMISSION (FOR 2WD)



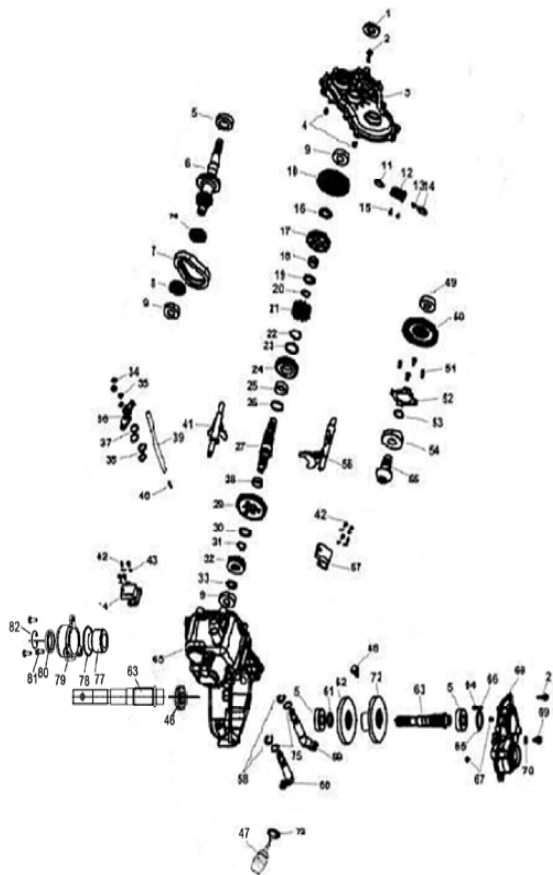
| REF. No. | PART NO. | DESCRIPTION | QTY | 图号 | PART NO. |
|----------|----------|---------------------------------|-----|------------------|------------------|
| 1 | 21201 | SEAL 25X47X8 | 1 | LH260ATV.17.6 | 8E017060000 901 |
| 2 | 10060 | BOLT M8X28 | 17 | GB/T5787-M8X28 | B01040828 902 |
| 3 | 21203 | MAIN COVER | 1 | LH260ATV.17-6 | 8E017000006 903 |
| | 21203B | MAIN COVER (USE WITH HIGH-POW | 1 | LH260ATV.17-6b | 8E017000006k 904 |
| 4 | 21104 | DOWEL PIN | 2 | LH260ATV.17-17 | 8E017000017 905 |
| 5 | 10061 | BEARING 6205c3 | 3 | GB/T276 | B1316205 906 |
| 6 | 21206 | INPUT SHAFT 29T | 1 | LH260ATV.17.1-18 | E017010014 907 |
| | 21206A | INPUT SHAFT 27T (FOR AUSTRALIA) | 1 | LH260ATV.17.1-18 | E017010014c 908 |
| | 21206B | INPUT SHAFT (USE WITH HIGH-POW | 1 | LH260ATV.17.1-18 | E017010014c 909 |
| 7 | 21207 | CHAIN | 1 | LH260ATV.17.1.38 | E017010300 910 |
| 8 | 21208 | GEAR 16T | 1 | LH260ATV.17.1-18 | E017010012 911 |
| 9 | 10062 | BEARING 6204 | 3 | GB/T276 | B1316204 912 |
| 10 | 21210 | GEAR, HELICAL 35T | 1 | LH260ATV.17.1-28 | E017010002 913 |
| 11 | 21211 | INTERLOCK PIN | 2 | LH260ATV.17-2 | 8E017000002 914 |
| 12 | 21212 | INTERLOCK BRACKET | 1 | LH260ATV.17-4 | 8E017000004 915 |
| 13 | 21213 | SPRING | 1 | LH260ATV.17-3 | 8E017000003 916 |
| 14 | 21211 | INTERLOCK PIN | 1 | LH260ATV.17-2 | 8E017000002 917 |
| 15 | 10001 | SCREW M5X12 | 2 | GB/T818 | B02020512 918 |
| 16 | 21216 | SPACER | 1 | LH260ATV.17.1-38 | E017010003 919 |
| 17 | 21217 | GEAR 31T | 1 | LH260ATV.17.1-48 | E017010004 920 |
| | 21217A | GEAR 32T (FOR AUSTRALIA) | 1 | LH260ATV.17.1-48 | E017010004c 921 |
| 18 | 21218 | NEEDLE BEARING 25 | 1 | LH260ATV.17.1.18 | E017010100 922 |
| 19 | 21219 | THRUST WASHER | 1 | LH260ATV.17.1-58 | E017010005 923 |
| 20 | 10064 | SNAP RING | 1 | GB/T894.1 | B036225 924 |
| 21 | 21221 | DOG GEAR | 1 | LH260ATV.17.1-68 | E017010006 925 |
| 22 | 10065 | SNAP RING | 1 | GB/T894.1 | B036232 926 |
| 23 | 21223 | THRUST WASHER | 1 | LH260ATV.17.1-78 | E017010007 927 |
| 24 | 21224 | SPROCKET 24T | 1 | LH260ATV.17.1-88 | E017010008 928 |
| 25 | 21225 | NEEDLE BEARING 25 | 1 | LH260ATV.17.1.28 | E017010200 929 |
| 26 | 21223 | THRUST WASHER | 1 | LH260ATV.17.1-78 | E017010007 930 |
| 27 | 21327 | SHAFT | 1 | LH260ATV.17.1-18 | E017010001 931 |

11 TRANSMISSION (FOR 2WD)



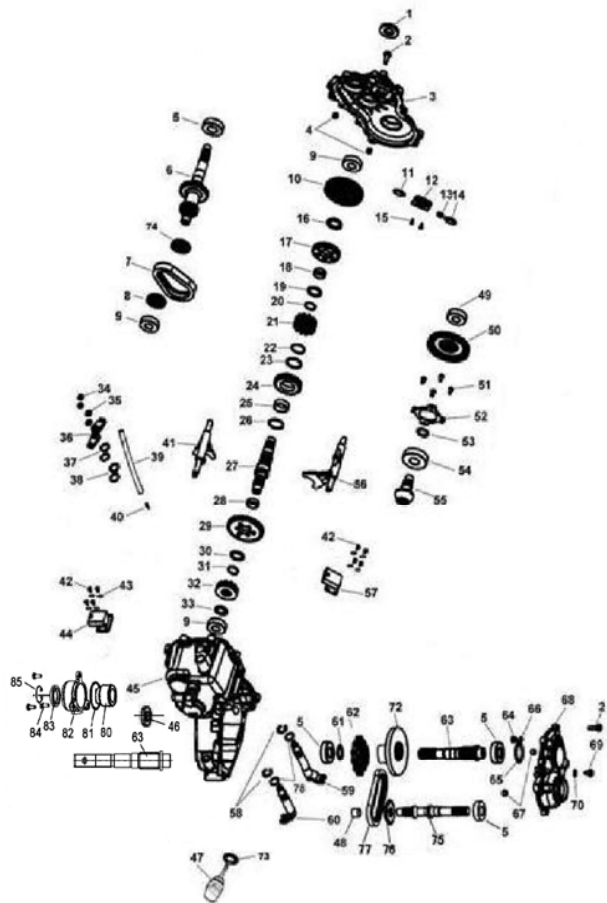
| REF. No. | PART NO. | DESCRIPTION | QTY | 图号 | PART NO. |
|----------|----------|-------------------------------|-----|------------------|-------------------|
| 28 | 21218 | NEEDLE BEARING 25 | 1 | LH260ATV.17.1.1 | 8E017010100 1001 |
| 29 | 21329 | GEAR 35T | 1 | LH260ATV.17.1-9 | 8E017010009 1002 |
| 30 | 21223 | THRUST WASHER | 1 | LH260ATV.17.1-7 | 8E017010007 1003 |
| 31 | 10064 | SNAP RING | 1 | GB/T894.1-25 | B036225 1004 |
| 32 | 21332 | ENGAGEMENT | 1 | LH260ATV.17.1-18 | 8E017010010 1005 |
| 33 | 21333 | THRST WASHER | 1 | LH260ATV.17.1-18 | 8E017010011 1006 |
| 34 | 10067 | NUT M8 | 2 | GB/T6184 | B015308 1007 |
| 35 | 10068 | WASHER 8 | 2 | GB/T97.1 | B025308 1008 |
| 36 | 21336 | BELLCRANK | 2 | LH260ATV.17-8 | 8E017000008 1009 |
| 37 | 10069 | SNAP RING | 2 | GB/T894.1 | B036219 1010 |
| 38 | 21338 | WASHER | 2 | LH260ATV.17-9 | 8E017000009 1011 |
| 39 | 21339 | VENT TUBE | 1 | LH260ATV.17-7 | 8E017000007 1012 |
| 40 | 21340 | VENT TUBE FITTING | 1 | LH260ATV.17.2-18 | 8E017020001 1013 |
| 41 | 21341 | SHIFT FORK HIGH/REVERSE | 1 | LH260ATV.17-1 | 8E017000001 1014 |
| 42 | 10007 | SCREW M4 | 8 | GB/T818 | B02020410 1015 |
| 43 | 10071 | WASHER 4 | 8 | GB/T97.1 | B025304 1016 |
| 44 | 21344 | GEAR INDICATOR SWITCH | 1 | LH260ATV.19.10 | 8E019100000 1017 |
| 45 | 21345A | GEARCASE,RH | 1 | LH260ATV.17.2 | 8E017020000 1018 |
| | 21345B | GEARCASE,RH (USE WITH SPEED S | 1 | LH260ATV.17.2a | 8E01702a0000 1019 |
| 46 | 21201 | SEAL 25X47X8 | 1 | LH260ATV.17.6 | 8E017060000 1020 |
| 47 | 21475 | DIPSTICK | 1 | 153FM.16-5 | 1H016000005 1021 |
| 48 | 10219 | SCREW | 1 | GB/T71 | B02050406 1022 |
| 49 | 10063 | BEARING 6204C3 | 1 | GB/T276 | B1316204 1023 |
| 50 | 21350 | GEAR HELICAL 46T | 1 | LH260ATV.17-16 | 8E017000016 1024 |
| 51 | 10073 | SCREW M6X10 | 4 | GB/T67 | B02040610 1025 |
| 52 | 21351 | BEARING RETAINER PLATE | 1 | LH260ATV.17-15 | 8E017000015 1026 |
| 53 | 21453 | SNAP RING | 1 | LH260ATV.17-14 | 8E017000014 1027 |
| 54 | 10074 | BEARING 6305ST | 1 | GB/T276 | B1316305 1028 |

11 TRANSMISSION (FOR 2WD)



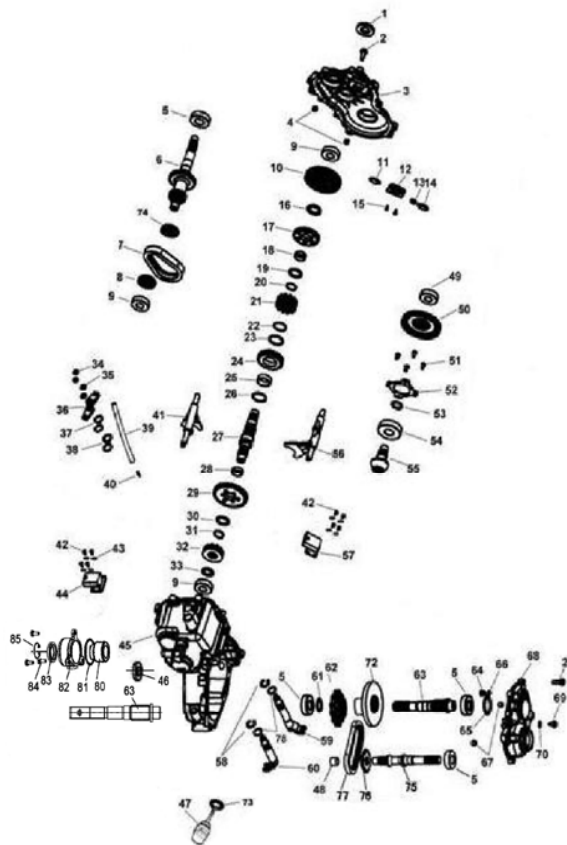
| REF. No. | PART NO. | DESCRIPTION | QTY | 图号 | PART NO. |
|----------|----------|------------------------------|-----|------------------|-------------------|
| 55 | 21455 | PINION SHAFT 10T | 1 | LH260ATV.17-13 | 8E017000013 1101 |
| 56 | 21456 | SHIFT FORK LOW | 1 | LH260ATV.17-5 | 8E017000005 1102 |
| 57 | 21457 | GEAR INDICATOR SWITCH | 1 | LH260ATV.19.11 | 8E019110000 1103 |
| 58 | 10075 | SNAP RING | 2 | GB/T896-15 | B036315 1104 |
| 59 | 21459 | SHIFT ROD LOW | 1 | LH260ATV.17.4 | 8E017040000 1105 |
| 60 | 21460 | SHIFT ROD HIGH/REVERSE | 1 | LH260ATV.17.3 | 8E017030000 1106 |
| 61 | 21461 | THRUST WASHER | 1 | LH260ATV.17-20 | 8E017000020 1107 |
| 62 | 21462 | GEAR | 1 | LH260ATV.17-18 | 8E017000018 1108 |
| 63 | 21463 | SHAFT REAR OUTPUT | 1 | LH260ATV.17-19 | 8E017000019 1109 |
| 63 | 70354 | SHAFT REAR OUTPUTA (USE WITH | 1 | LH520ATV.17-19 | 8G017000019I 1110 |
| 64 | 21464 | THRUST BUTTON | 1 | LH260ATV.17-23 | 8E017000023 1111 |
| 65 | 21465 | SHIM 1 | 1 | LH260ATV.17-22 | 8E017000022 1112 |
| 66 | 21107 | SHIM 2 | 1 | LH260ATV.17-24 | 8E017000024 1113 |
| 67 | 21104 | DOWEL PIN | 1 | LH260ATV.17-17 | 8E017000017 1114 |
| 68 | 21468 | COVER | 1 | LH260ATV.17-21 | 8E017000021 1115 |
| 69 | 21469 | DRAIN SCREW | 1 | LH260ATV.17.5 | 8E017050000 1116 |
| 70 | 21470 | WASHER | 1 | LH260ATV.17-12 | 8E017000012 1117 |
| 72 | 21473 | OIL PLATE | 1 | LH260ATV.17-26 | 8E017000026 1118 |
| 73 | 10122 | O RING 18X2.65 | 1 | GB3452.1-82 | B121180265 1119 |
| 74 | 21477 | SPROCKET | 1 | LH260ATV.17.1-18 | E017010013 1120 |
| 75 | 10123 | O RING 14X2.65 | 4 | GB/T3452.1 | B121140265 1121 |
| 77 | 25511 | COLLAR | 1 | LH260ATV.17.8.1 | 8E017080100 1122 |
| 78 | 25512 | O RING 50X1.5 | 1 | LH260ATV.17.8-18 | E017080001 1123 |
| 79 | 25513 | SPEED SENSOR COVER | 1 | LH260ATV.17.8-2 | 8E017080002 1124 |
| 80 | 27216 | SEAL30X40X5 | 1 | GB/T9877.1 | B111304005 1125 |
| 81 | 10010 | BOLTM6X15 | 3 | GB/T16674.1 | B01040615 1126 |
| 82 | 10164 | CLAMP 24 | 1 | GB/T894.1 | B036224 1127 |

11 TRANSMISSION (FOR 4WD)



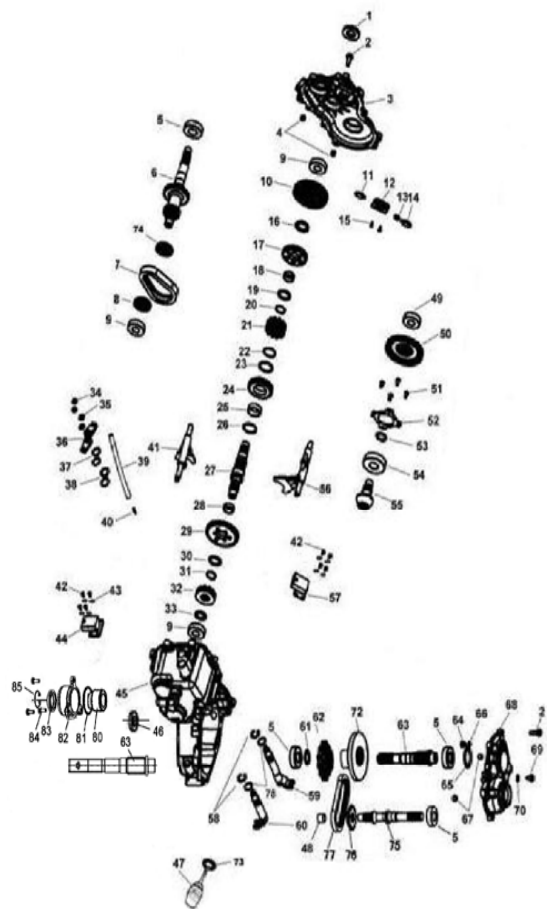
| REF. No. | PART NO. | DESCRIPTION | Q'TY | 图号 | PART NO. |
|----------|----------|---------------------------------|------|------------------|-------------------|
| 1 | 21201 | SEAL 25X47X8 | 1 | LH260ATV.17.6 | 8E017060000 1201 |
| 2 | 10060 | BOLT M8X28 | 17 | GB/T5787 | B01040828 1202 |
| 3 | 21203 | MAIN COVER | 1 | LH260ATV.17-6 | 8E017000006 1203 |
| | 21203B | MAIN COVER (USE WITH HIGH-POW | 1 | LH260ATV.17-6b | 8E017000006k 1204 |
| 4 | 21104 | DOWEL PIN | 2 | LH260ATV.17-17 | 8E017000017 1205 |
| 5 | 10061 | BEARING 6205c3 | 4 | GB/T276 | B1316205 1206 |
| 6 | 21206 | INPUT SHAFT | 1 | LH260ATV.17.1-18 | E017010014 1207 |
| | 21206A | INPUT SHAFT 27T (FOR AUSTRALIA) | 1 | LH260ATV.17.1-18 | E017010014e 1208 |
| | 21206B | INPUT SHAFT (USE WITH HIGH-POW | 1 | LH260ATV.17.1-18 | E017010014c 1209 |
| 7 | 21207 | CHAIN | 1 | LH260ATV.17.1.38 | E017010300 1210 |
| 8 | 21208 | GEAR 16T | 1 | LH260ATV.17.1-18 | E017010012 1211 |
| 9 | 10062 | BEARING 6204 | 3 | GB/T276 | B1316204 1212 |
| 10 | 21210 | GEAR,HELICAL 35T | 1 | LH260ATV.17.1-28 | E017010002 1213 |
| 11 | 21211 | INTERLOCK PIN | 2 | LH260ATV.17-2 | 8E017000002 1214 |
| 12 | 21212 | INTERLOCK BRACKET | 1 | LH260ATV.17-4 | 8E017000004 1215 |
| 13 | 21213 | SPRING | 1 | LH260ATV.17-3 | 8E017000003 1216 |
| 14 | 21211 | INTERLOCK PIN | 1 | LH260ATV.17-2 | 8E017000002 1217 |
| 15 | 10001 | SCREW M5X12 | 2 | GB/T818 | B02020512 1218 |
| 16 | 21216 | SPACER | 1 | LH260ATV.17.1-38 | E017010003 1219 |
| 17 | 21217 | GEAR 31T | 1 | LH260ATV.17.1-48 | E017010004 1220 |
| | 21217A | GEAR 32T (FOR AUSTRALIA) | 1 | LH260ATV.17.1-48 | E017010004e 1221 |
| 18 | 21218 | NEEDLE BEARING 25 | 1 | LH260ATV.17.1.18 | E017010100 1222 |
| 19 | 21219 | THRUST WASHER | 1 | LH260ATV.17.1-58 | E017010005 1223 |
| 20 | 10064 | SNAP RING | 1 | GB/T894.1-25 | B036225 1224 |
| 21 | 21221 | DOG GEAR | 1 | LH260ATV.17.1-68 | E017010006 1225 |
| 22 | 10065 | SNAP RING | 1 | GB/T894.1 | B032632 1226 |
| 23 | 21223 | THRUST WASHER | 1 | LH260ATV.17.1-78 | E017010007 1227 |
| 24 | 21224 | SPROCKET 24T | 1 | LH260ATV.17.1-88 | E017010008 1228 |
| 25 | 21225 | NEEDLE BEARING 25 | 1 | LH260ATV.17.1.28 | E017010200 1229 |
| 26 | 21223 | THRUST WASHER | 1 | LH260ATV.17.1-78 | E017010007 1230 |
| 27 | 21327 | SHAFT | 1 | LH260ATV.17.1-18 | E017010001 1231 |

11 TRANSMISSION (FOR 4WD)



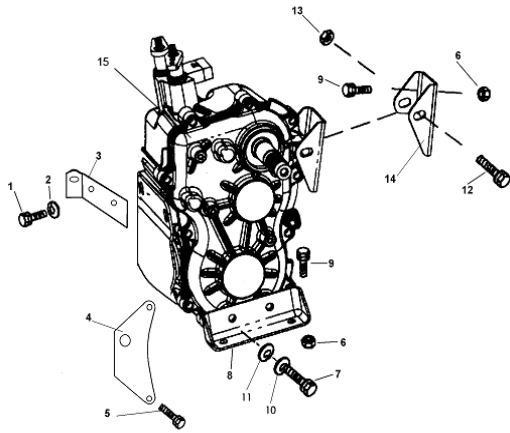
| REF. No. | PART NO. | DESCRIPTION | QTY | 图号 | PART NO. |
|----------|----------|-------------------------------|-----|------------------|-------------------|
| 28 | 21218 | NEEDLE BEARING 25 | 1 | LH260ATV.17.1.1 | 8E017010100 1301 |
| 29 | 21329 | GEAR 35T | 1 | LH260ATV.17.1-9 | 8E017010009 1302 |
| 30 | 21223 | THRUST WASHER | 1 | LH260ATV.17.1-7 | 8E017010007 1303 |
| 31 | 10064 | SNAP RING | 1 | GB/T894.1 | B036225 1304 |
| 32 | 21332 | ENGAGEMENT | 1 | LH260ATV.17.1-18 | 8E017010010 1305 |
| 33 | 21333 | THRST WASHER | 1 | LH260ATV.17.1-18 | 8E017010011 1306 |
| 34 | 10067 | NUT M8 | 2 | GB/T6184 | B015308 1307 |
| 35 | 10068 | WASHER 8 | 2 | GB/T97.1-8 | B025308 1308 |
| 36 | 21336 | BELLCRANK | 2 | LH260ATV.17-8 | 8E017000008 1309 |
| 37 | 10069 | SNAP RING | 2 | GB/T894.1 | B036219 1310 |
| 38 | 21338 | WASHER | 2 | LH260ATV.17-9 | 8E017000009 1311 |
| 39 | 21339 | VENT TUBE | 1 | LH260ATV.17-7 | 8E017000007 1312 |
| 40 | 21340 | VENT TUBE FITTING | 1 | LH260ATV.17.2-18 | 8E017020001 1313 |
| 41 | 21341 | SHIFT FORK HIGH/REVERSE | 1 | LH260ATV.17-1 | 8E017000001 1314 |
| 42 | 10007 | SCREW M4 | 8 | GB/T818 | B02020410 1315 |
| 43 | 10071 | WASHER 4 | 8 | GB/T97.1 | B025304 1316 |
| 44 | 21344 | GEAR INDICATOR SWITCH | 1 | LH260ATV.19.10 | 8E019100000 1317 |
| 45 | 21345A | GEARCASE,RH | 1 | LH260ATV.17.2 | 8E017020000 1318 |
| | 21345B | GEARCASE,RH (USE WITH SPEED S | 1 | LH260ATV.17.2a | 8E01702a0000 1319 |
| 46 | 21201 | SEAL 25X47X8 | 1 | LH260ATV.17.6 | 8E017060000 1320 |
| 47 | 21475 | DIPSTICK | 1 | 153FM.16-5 | 1H016000005 1321 |
| 48 | 10275 | BUSHING | 1 | GB/T12613 | B13302302015 1322 |
| 49 | 10063 | BEARING 6204C3 | 1 | GB/T276 | B1316204 1323 |
| 50 | 21350 | GEAR HELICAL 46T | 1 | LH260ATV.17-16 | 8E017000016 1324 |
| 51 | 10073 | SCREW M6X10 | 4 | GB/T67-M6X10 | B02040610 1325 |
| 52 | 21351 | BEARING RETAINER PLATE | 1 | LH260ATV.17-15 | 8E017000015 1326 |
| 53 | 21453 | SNAP RING | 1 | LH260ATV.17-14 | 8E017000014 1327 |
| 54 | 10074 | BEARING 6305ST | 1 | GB/T276 | B1316305 1328 |

11 TRANSMISSION (FOR 4WD)



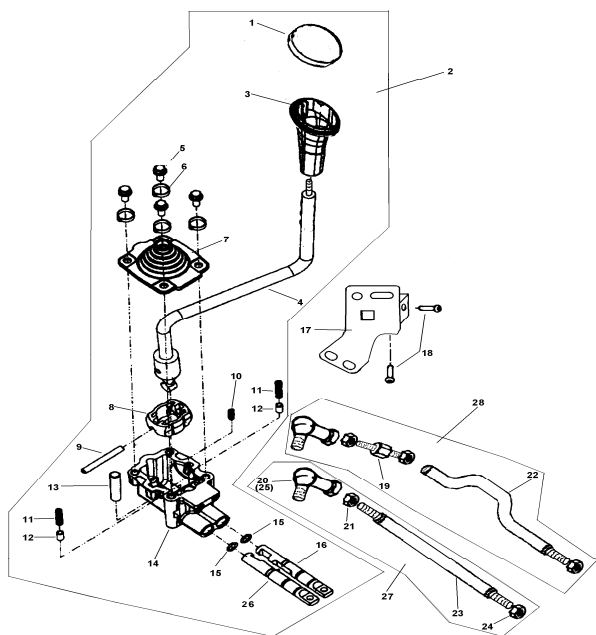
| REF. No. | PART NO. | DESCRIPTION | QTY | 图号 | PART NO. |
|----------|----------|------------------------------|-----|------------------|-------------------|
| 55 | 21455 | PINION SHAFT 10T | 1 | LH260ATV.17-13 | 8E017000013 1401 |
| 56 | 21456 | SHIFT FORK LOW | 1 | LH260ATV.17-5 | 8E017000005 1402 |
| 57 | 21457 | GEAR INDICATOR SWITCH | 1 | LH260ATV.19.11 | 8E019110000 1403 |
| 58 | 10075 | SNAP RING | 2 | GB/T896 | B036315 1404 |
| 59 | 21459 | SHIFT ROD LOW | 1 | LH260ATV.17.4 | 8E017040000 1405 |
| 60 | 21460 | SHIFT ROD HIGH/REVERSE | 1 | LH260ATV.17.3 | 8E017030000 1406 |
| 61 | 21461 | THRUST WASHER | 1 | LH260ATV.17-20 | 8E017000020 1407 |
| 62 | 21483 | SPORCKET 12T | 1 | LH260ATV.17-29 | 8E017000029 1408 |
| 63 | 21463 | SHAFT REAR OUTPUT | 1 | LH260ATV.17-19 | 8E017000019 1409 |
| 63B | 70354 | SHAFT REAR OUTPUTA (USE WITH | 1 | LH520ATV.17-19 | 8G017000019I 1410 |
| 64 | 21464 | THRUST BUTTON | 1 | LH260ATV.17-23 | 8E017000023 1411 |
| 65 | 21465 | SHIM 1 | 1 | LH260ATV.17-22 | 8E017000022 1412 |
| 66 | 21107 | SHIM 2 | 1 | LH260ATV.17-24 | 8E017000024 1413 |
| 67 | 21104 | DOWEL PIN | 1 | LH260ATV.17-17 | 8E017000017 1414 |
| 68 | 21468T | COVER | 1 | LH260ATV.17-21 | 8E017000021 1415 |
| 69 | 21469 | DRAIN SCREW | 1 | LH260ATV.17.5 | 8E017050000 1416 |
| 70 | 21470 | WASHER | 1 | LH260ATV.17-12 | 8E017000012 1417 |
| 72 | 21462 | GEAR | 1 | LH260ATV.17-18 | 8E017000018 1418 |
| 73 | 10122 | O RING 18X2.65 | 1 | GB3452.1-82 | B121180265 1419 |
| 74 | 21477 | SPROCKET | 1 | LH260ATV.17.1-18 | 8E017010013 1420 |
| 75 | 21480 | SHAFT FRONT OUTPUT | 1 | LH260ATV.17-28 | 8E017000028 1421 |
| 76 | 21481 | SPORCKET 12T | 1 | LH260ATV.17-27 | 8E017000027 1422 |
| 77 | 21482 | CHAIN | 1 | LH260ATV.17.6S | 8E01706S000 1423 |
| 78 | 10123 | O RING 14X2.65 | 4 | GB/T3452.1 | B121140265 1424 |
| 80 | 25511 | COLLAR | 1 | LH260ATV.17.8.18 | 8E017080100 1425 |
| 81 | 25512 | O RING 50X1.5 | 1 | LH260ATV.17.8-18 | 8E017080001 1426 |
| 82 | 25513 | SPEED SENSOR COVER | 1 | LH260ATV.17.8-28 | 8E017080002 1427 |
| 83 | 27216 | SEAL30X40X5 | 1 | GB/T9877.1 | B111304005 1428 |
| 84 | 10010 | BOLTM6X15 | 3 | GB/T16674.1 | B01040615 1429 |
| 85 | 10164 | CLAMP 24 | 1 | GB/T894.1 | B036224 1430 |

12 SUPPORT BRACKET



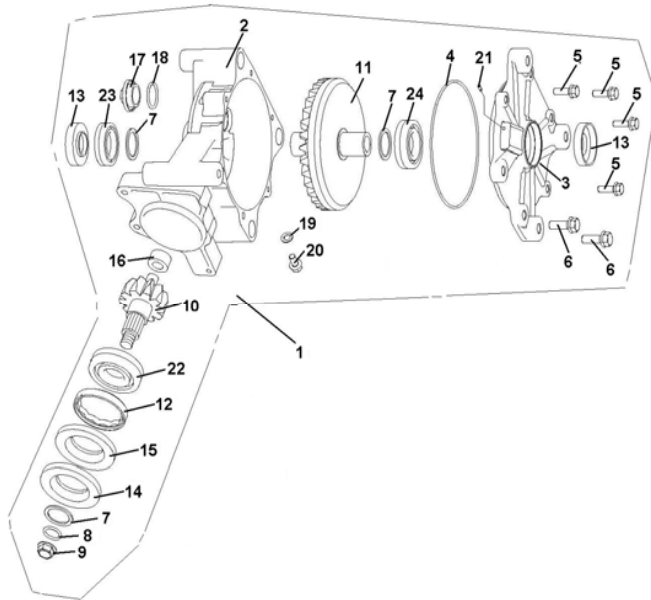
| REF. No. | PART NO. | DESCRIPTION | QTY | 图号 | PART NO. | |
|----------|----------|--------------------------------|-----|-----------------|--------------|------|
| 1 | 10076 | BOLT M12X20 | 2 | GB/T70.1-M12X20 | B02011220 | 1501 |
| 2 | 10054 | WASHER 12 | 2 | GB/T93-12 | B025112 | 1502 |
| 3 | 27292 | TRANSMISSION MOUNTING BRACKE | 1 | LH400ATV.20.2 | | 1503 |
| 4 | 21504 | TRANSMISSION MOUNTING BRACKE | 1 | LH260ATV.20.4 | 8E020040000 | 1504 |
| 5 | 10078 | BOLT M8X30 | 3 | GB/T5787 | B01040830 | 1505 |
| 6 | 10079 | NUT M8 | 3 | GB/T6187 | B015508 | 1506 |
| 7 | 10028 | BOLT M10X25 | 2 | GB/T5783 | B01011025 | 1507 |
| 8 | 21508 | TRANSMISSION MOUNTING BRACKE | 1 | LH260ATV.1-7 | 8E001000007 | 1508 |
| 9 | 10081 | BOLT M8X20 | 3 | GB/T5787 | B01040820 | 1509 |
| 10 | 10027 | WASHER 10 | 2 | GB/T93 | B025110 | 1510 |
| 11 | 10019 | WASHER | 2 | GB/T97.1 | B025310 | 1511 |
| 12 | 10084 | BOLTM10X1.25X70 | 1 | GB/T5785 | B01071070A | 1512 |
| 13 | 10015 | NUT M10 | 1 | GB/T6187 | B015510A | 1513 |
| 14 | 21514 | TRANSMISSION MOUNTING BRACKE | 1 | LH260ATV.1-8 | 8E001000008 | 1514 |
| 15 | 21515A | TRANSMISSION ASSY(2WD、 FOR SP | 1 | LH260ATV.17(a) | 8E017a00000 | 1515 |
| | 21515B | TRANSMISSION ASSY(2WD) | 1 | LH260ATV.17(b) | 8E017b00000 | 1516 |
| | 21515C | TRANSMISSION ASSY(2WD、 FOR SP | 1 | LH260ATV.17(c) | 8E017c00000 | 1517 |
| | 21515D | TRANSMISSION ASSY(2WD、 FOR HI | 1 | LH260ATV.17(d) | 8E017d00000 | 1518 |
| | 21515SA | TRANSMISSION ASSY(4WD、 FOR SP | 1 | LH260ATV.17s(a) | 8E017sa00000 | 1519 |
| | 21515SB | TRANSMISSION ASSY(4WD) | 1 | LH260ATV.17s(b) | 8E017sb00000 | 1520 |
| | 21515SC | TRANSMISSION ASSY(4WD、 FOR SF | 1 | LH260ATV.17s(c) | 8E017sc00000 | 1521 |
| | 21515SL | TRANSMISSION ASSY(4WD、 FOR HI | 1 | LH260ATV.17s(d) | 8E017sd00000 | 1522 |
| | 21514 | TRANSMISSION ASSY(FOR 50TH MOI | 1 | LH260ATV.17s(l) | 8E017sl00000 | 1523 |

13 SHIFT ROD



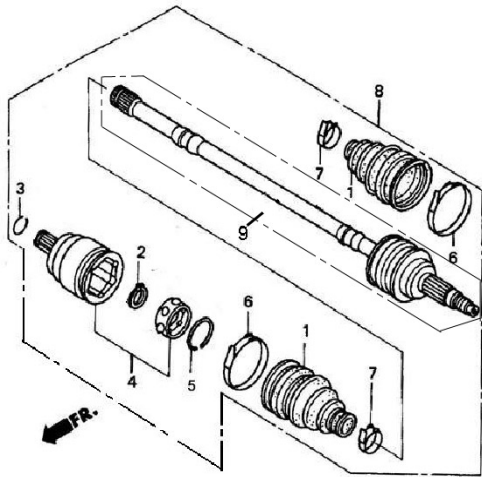
| REF. No. | PART NO. | DESCRIPTION | QTY | 图号 | PART NO. |
|----------|----------|------------------------------|-----|------------------|-------------------|
| 1 | 21601A | LABLE | 1 | LH260ATV.18.1 a | 8E01801a0301 1601 |
| 2 | 21729B | SHIFTER ASSY MOUNTING | 1 | LH260ATV.18.1a | 8E01701a0000 1602 |
| 3 | 21603A | KNOB | 1 | LH260ATV.18.1 a | 8E01801a0302 1603 |
| 4 | 21604A | SHIFT LEVER | 1 | LH260ATV.18.1a. | 8E01801a0100 1604 |
| 5 | 10086 | BOLT M6X12 | 4 | GB5783 | B01010612 1605 |
| 6 | 10006 | WASHER 6 | 4 | GB97.1-6 | B025306 1606 |
| 7 | 21607 | BOOT | 1 | LH260ATV.18.1a. | 8E01701a0200 1607 |
| 8 | 21608A | PLASTIC SPHERE | 1 | LH260ATV.18.1a- | 8E01801a0002 1608 |
| 9 | 21609A | GROOVE PIN | 1 | LH260ATV.18.1a- | 8E01801a0003 1609 |
| 10 | 21610A | CENTERING SPRING | 1 | LH260ATV.18.1a- | 8E01801a0008 1610 |
| 11 | 21611A | DETENT SPRING | 2 | LH260ATV.18.1a- | 8E01801a0007 1611 |
| 12 | 21612A | DETENT BULLET | 2 | LH260ATV.18.1a- | 8E01801a0009 1612 |
| 13 | 21613A | DOWEL PIN | 1 | LH260ATV.18.1a- | 8E01801a0006 1613 |
| 14 | 21614A | SHIFFER HOUSING | 1 | LH260ATV.18.1a- | 8E01801a0001 1614 |
| 15 | 21615 | O-RING | 2 | GB/T3452.1 | B121095180 1615 |
| 16 | 21616A | SELECTOR SLIDES HIGH/REVERSE | 2 | LH260ATV.18.1a- | 8E01801a0005 1616 |
| 17 | 21617A | SHIFTER MOUNTING BRACKET | 1 | LH260ATV.1.13 | 8E001130000 1617 |
| 18 | 10010 | BOLT M6X15 | 4 | GB/T16674.1-M6 | B01040615 1618 |
| 19 | 21619 | SHIFT ROD COUPLER | 1 | LH260ATV.18.3-18 | E018030001 1619 |
| 20 | 21620 | SHIFT ROD END CW | 2 | LH260ATV.18.2.18 | E018020100 1620 |
| 21 | 10090 | JAM NUT M6 CW | 3 | GB/T6170-M6 | B015806 1621 |
| 22 | 21622 | SHIFT ROD HIGH/REVERSE | 1 | LH260ATV.18.3-28 | E018030002 1622 |
| 23 | 27288 | SHIFT ROD LOW | 1 | LH400ATV.18.2-1 | 1623 |
| 24 | 21624 | JAM NUT M6 CCW | 2 | LH260ATV.18.2-28 | E018020002 1624 |
| 25 | 21625 | SHIFT ROD END CCW | 2 | LH260ATV.18.2.28 | E018020200 1625 |
| 26 | 21626 | SELECTOR SLIDES LOW | 1 | LH260ATV.18.1-18 | E018010014 1626 |
| 27 | 27287 | SHIFTER MOUNTING ROD A | 1 | LH400ATV.18.2 | 1627 |
| 28 | 21728 | SHIFTER MOUNTING ROD B | 1 | LH260ATV.18.3 | 8E018030000 1628 |

11. REAR GEAR-BOX

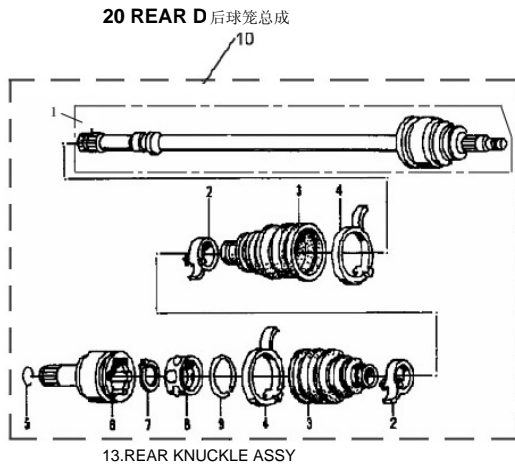


| REF. No. | PART NO. | DESCRIPTION | QTY | 图号 | PART NO. |
|----------|----------|-------------------------------|-----|-----------------|----------|
| 1 | 70286 | REAR GEAR-BOX ASSY | 1 | LH520ATV.12 | 1701 |
| 2 | 70291 | DRIVE HOUSING | 1 | LH520ATV.12-1 | 1702 |
| 3 | 70292 | OUTPUT COVER | 1 | LH520ATV.12-2 | 1703 |
| 4 | 70293 | O-RING 160X2.65 | 1 | LH520ATV.12-3 | 1704 |
| 5 | 10060 | BOLT M8X28 | 4 | GB/T16674.1 | 1705 |
| 6 | 27207 | BOLT M10X1.25X28 | 2 | GB/T16674.1 | 1706 |
| 7 | 70294 | WASHER 31 | 3 | LH520ATV.12-4 | 1707 |
| 8 | 70295 | O-RING 20X3 | 1 | LH520ATV.12-5 | 1708 |
| 9 | 70296 | NUT M16X1.5 | 1 | LH520ATV.12-6 | 1709 |
| 10 | 70297 | OUTPUT AXLE,RING REAR GEAR-BO | 1 | LH520ATV.12-7 | 1710 |
| 11 | 70298 | INPUT AXLE,RING REAR GEAR-BOX | 1 | LH520ATV.12-8 | 1711 |
| 12 | 70299 | LOCK NUT | 1 | LH520ATV.12-9 | 1712 |
| 13 | 70288 | SEAL 30X55X11 | 2 | LH520ATV.12.1 | 1713 |
| 14 | 70289 | SEAL 38X85X8 | 1 | LH520ATV.12.2 | 1714 |
| 15 | 70290 | SEAL 38X80X8 | 1 | LH520ATV.12.3 | 1715 |
| 16 | 44104 | BEARING 15NQ2815 | 1 | 170M.10.1 | 1716 |
| 17 | 24305 | OIL SCREEN CAP | 1 | 153FM.16-3 | 1717 |
| 18 | 1309280 | O-RING | 1 | 153FM.16-6 | 1718 |
| 19 | 20818 | WASHER | 1 | 153FM.18-2 | 1719 |
| 20 | 20817 | OIL PLUG | 1 | 153FM.18-3 | 1720 |
| 21 | 21340 | TUBE,REAR GEAR-BOX BREATHER | 1 | LH260ATV.17.2-1 | 1721 |
| 22 | 27210 | BEARING 6306 | 1 | GB/T276 | 1722 |
| 23 | 10202 | BEARING 6006 | 1 | GB/T276 | 1723 |
| 24 | 26240 | BEARING | 1 | GB/T276 | 1724 |

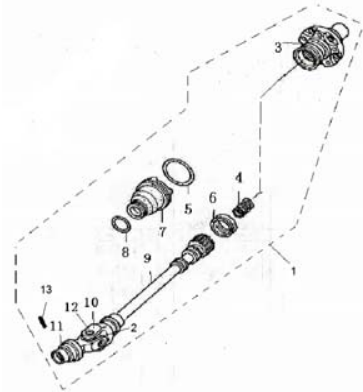
37 FRONT DRIVE AXLE (FOR 4WD)



| REF. No. | PART NO. | DESCRIPTION | Q'TY | 图号 | PART NO. |
|----------|----------|-----------------------------|------|-----------------|------------------|
| 1 | 24403 | OUTER BOARD BOOT | 4 | LH260ATV.6.5-5 | 8E006050005 1801 |
| 2 | 24407 | CIRCLIP 20 | 2 | GB/T894.1 | B036320 1802 |
| 3 | 24405 | ATOPPER RING | 2 | LH260ATV.6.5-16 | 8E006050016 1803 |
| 4 | | JOUNT,INBOARD(CONTAIN | 2 | LH260ATV.6.5-13 | 8E006050013 1804 |
| | | INBOARD AXLE STEEL BALL | 2 | LH260ATV.6.5-12 | 8E006050012 1805 |
| | 25244 | BRACKET STEEL BALL AND GEAR | 2 | LH260ATV.6.5-11 | 8E006050011 1806 |
| | | WHEEL) | 6 | LH260ATV.6.5-10 | 8E006050010 1807 |
| 5 | 24409 | STOPPER RING | 2 | LH260ATV.6.5-9 | 8E006050009 1808 |
| 6 | 24404 | BOOT BAND B | 4 | LH260ATV.6.5-4 | 8E006050004 1809 |
| 7 | 24402 | BOOT BAND A | 4 | LH260ATV.6.5-6 | 8E006050006 1810 |
| 8 | 27346 | FRONT DRIVE AXLE | 2 | LH400ATV.6.5 | 1811 |
| 9 | | DRIVE AXLE/OUTER CV JOINT | 2 | LH400ATV.19-1 | 1812 |
| | | ASSEMBLY | 2 | LH260ATV.6.5-2 | 8E006050002 1813 |
| | 27392 | | 12 | LH260ATV.6.5-3 | 8E006050003 1814 |
| | | | 2 | LH300CUV.19-2 | 8E006050007 1815 |
| | | | 2 | LH260ATV.6.5-16 | 8E006050016 1816 |
| | | | 2 | LH260ATV.6.5-15 | 8E006050015 1817 |

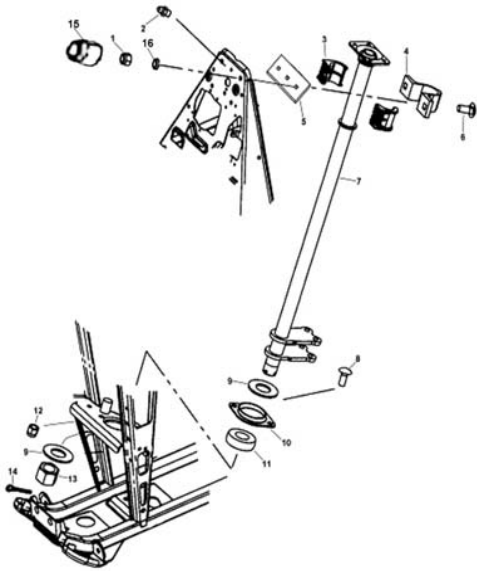


| REF. No. | PART NO. | DESCRIPTION | Q'TY | 图号 | PART NO. |
|----------|----------|---------------------------------|------|-----------------|----------|
| 1 | 27393 | DRIVE AXLE/OUTER CV JOINT ASSE | 2 | LH400ATV-2.20-1 | 1901 |
| | | | 2 | LH260ATV.6.5-2 | 1902 |
| | | | 12 | LH260ATV.6.5-3 | 1903 |
| | | | 2 | LH400ATV-2.20-2 | 1904 |
| | | | 2 | LH260ATV.6.5-16 | 1905 |
| | | | 2 | LH260ATV.6.5-15 | 1906 |
| 2 | 24402 | BOOT BAND "A" | 1 | LH260ATV.6.5-6 | 1907 |
| 3 | 24403 | OUTER BOARD BOOT | 1 | LH260ATV.6.5-5 | 1908 |
| 4 | 24404 | BOOT BAND "B" | 1 | LH260ATV.6.5-4 | 1909 |
| 5 | 70084 | STOPPER RING B | 1 | LH260ATV.6.5-14 | 1910 |
| 6 | 70360 | OUTER CV JOINT | 1 | LH520ATV.20-3 | 1911 |
| 7 | 24407 | CIRCLIP 20 | 1 | GB/T894.1 | 1912 |
| 8 | | STEEL BALL BRACKET STEEL BALL A | 2 | LH260ATV.6.5-12 | 1913 |
| | | | 2 | LH260ATV.6.5-11 | 1914 |
| | 25244 | | 6 | LH260ATV.6.5-10 | 1915 |
| 9 | 24409 | STOPPER RING A | 1 | LH260ATV.6.5-9 | 1916 |
| 10 | 27347 | REAR DRIVE AXLE | 1 | LH400ATV-2.20 | 1917 |



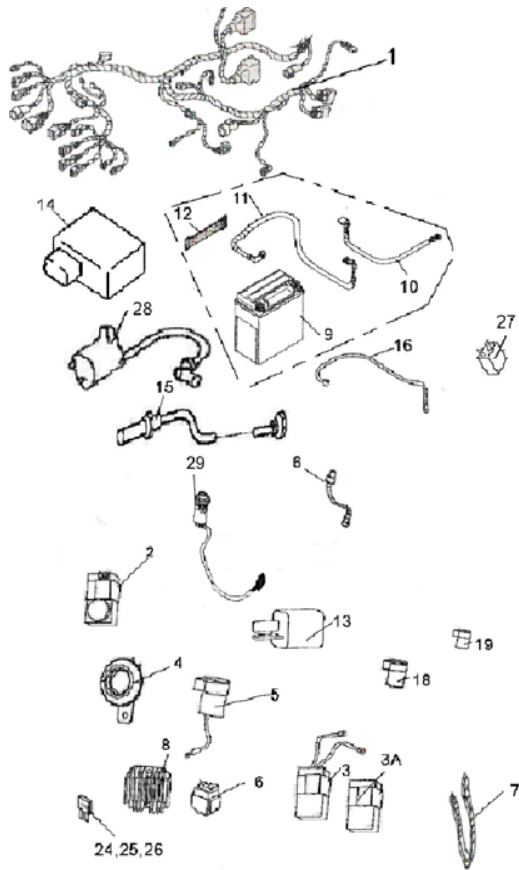
| REF. No. | PART NO. | DESCRIPTION | Q'TY | 图号 | PART NO. |
|----------|----------|----------------------|------|-----------------|----------|
| 1 | 70303 | REAR KNUCKLE | 1 | LH520ATV.13.2 | 2001 |
| 2 | 70056 | U-JOINT CROSS | 1 | JB/T8925 | 2002 |
| 3 | 70302 | JOINT, INBOARD | 1 | LH520ATV.13.1-1 | 2003 |
| 4 | 70304 | SPRING, REAR KNUCKLE | 1 | LH520ATV.13.2-2 | 2004 |
| 5 | 70305 | SEAL | 1 | LH520ATV.13.2-3 | 2005 |
| 6 | 70306 | BAND, OUTBOARD BOOT | 1 | LH520ATV.13.2-4 | 2006 |
| 7 | 70307 | BOOT SET | 1 | LH520ATV.13.2-5 | 2007 |
| 8 | 70308 | BAND, SHAFT BOOT | 1 | LH520ATV.13.2-6 | 2008 |
| 9 | 27310 | SPLING AXLE | 1 | LH400ATV-2.20.1 | 2009 |
| 10 | 70310 | LINK FORK | 1 | LH520ATV.13.2-8 | 2010 |
| 11 | 70311 | SLIP JOINT | 1 | LH520ATV.13.3-3 | 2011 |
| 12 | 27214 | CIRCLIP 20 | 4 | GB/T893.1 | 2012 |
| 13 | 20716 | KERBSTIFTE | 1 | LH260ATV.13-1 | 2013 |

15 STEERING COLUMN



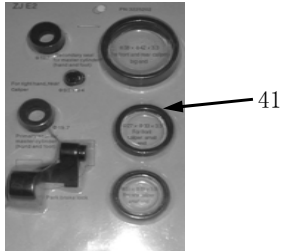
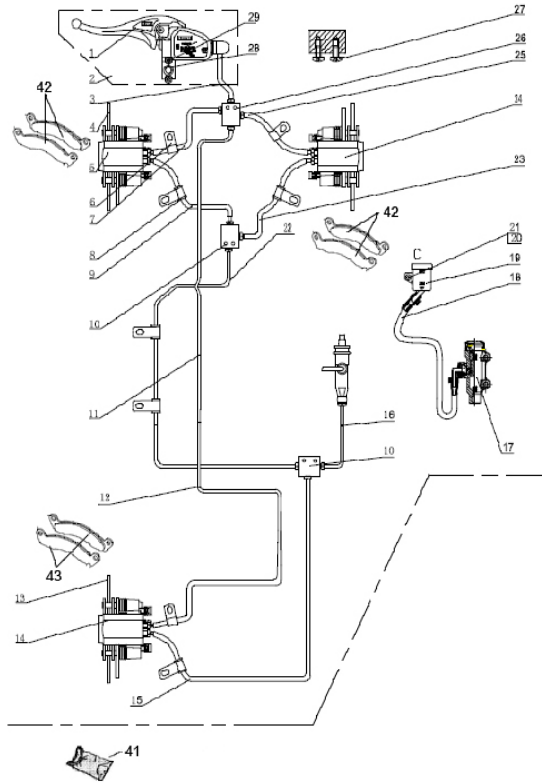
| REF. No. | PART NO. | DESCRIPTION | Q'TY | 图号 | PART NO. | |
|----------|----------|------------------------------|------|-----------------|-------------|------|
| 1 | 10079 | NUT M8 | 2 | GB/T6187-M8 | B015508 | 2101 |
| 2 | 10026 | GREASE FITTING | 1 | LH260ATV.1.7-3 | 8E001070300 | 2102 |
| 3 | 21903 | BUSHING | 2 | LH260ATV.1.7-2 | 8E001070002 | 2103 |
| 4 | 21904 | STEERING CLAMP REAR | 1 | LH260ATV.1.7-1 | 8E001070001 | 2104 |
| 5 | 21905 | STEERING CLAMP FRONT | 1 | LH260ATV.1.7-6 | 8E001070006 | 2105 |
| 6 | 21906 | BOLT | 2 | LH260ATV.1.7-3 | 8E001070003 | 2106 |
| 7 | 31907F | STEERING COLUMN (608 MM LENG | 1 | LH260ATV.1.7.1a | 8E0010701a0 | 2107 |
| 8 | 21906 | BOLT | 2 | LH260ATV.1.7-3 | 8E001070003 | 2108 |
| 9 | 21909 | WASHER | 2 | LH260ATV.1.7-5 | 8E001070005 | 2109 |
| 10 | 21910 | BEARING RETAINER | 1 | LH260ATV.1.7-4 | 8E001070004 | 2110 |
| 11 | 21911 | BEARING | 1 | LH260ATV.1.20 | 8E001200000 | 2111 |
| 12 | 10079 | NUT M8 | 2 | GB/T6187-M8 | B015508 | 2112 |
| 13 | 10100 | STEERING COLUMN RETAINER NUT | 1 | GB/T9459-M24X2 | B01592402 | 2113 |
| 14 | 10101 | COTTER PIN | 1 | GB/T91-5X40 | B03115040 | 2114 |
| 15 | 27256 | PROTECT COVER | 2 | LH260ATV.1.7-7 | | 2115 |
| 16 | 10106 | SPRING WASHER | 2 | GB/T93 | | 2116 |

16 ELECTRICAL SYSTEM



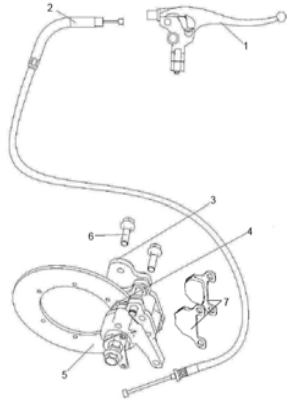
| REF. No. | PART NO. | DESCRIPTION | Q'TY | 图号 | PART NO. |
|----------|----------|--------------------------------|------|-----------------------------|------------------|
| 1 | 27366 | WIRING HARNESS | 1 | LH400ATV-2B.23.1 | 2201 |
| 2 | 32038 | REVERSE GEAR WARNING (FOR 4W | 1 | LH260ATV.19.21 | 8E019210000 2202 |
| 3 | 22002A | REVERSE SPEED LIMITER (FOR 50' | 1 | LH260ATV.19.8(8E01908A000(| 2203 |
| 4 | 32029 | HORN | 1 | | T000501 2204 |
| 5 | 32028 | FLASHER RELAY ASSY | 1 | LYM100T.12.12 | 2AY12120000 2205 |
| 6 | 22004 | STARTER RELAY | 1 | LH250T.7.3 | 2W007030000 2206 |
| 7 | 25530 | TIE | 20 | ZD150X3.5 | B90115035 2207 |
| 8 | 22007 | REGULATOR RECTIFIER | 1 | LH250T.7.4 | 2W007040000 2208 |
| 9 | 22005 | BATTERY(BATTERY COVER IS ON PA | 1 | | B18114 2209 |
| 10 | 32003 | BATTERY CABLE POSITIVE | 1 | LH260ATV.19.2a-8E01902a0001 | 2210 |
| 11 | 32006 | BATTERY CABLE GROUND | 1 | LH260ATV.19.2a-8E01902a0002 | 2211 |
| 12 | 22018 | BATTERY BELL | 1 | LH260ATV.2-17 | 8E002000017 2212 |
| 13 | 32021 | CAPACITOR | 1 | LH260ATV.19.17 | 8E019170000 2213 |
| 14 | 27340 | CDI | 1 | 180MQ.6.3 | 2214 |
| 15 | 32020 | GEAR SENSOR(FOR 05 AND BEFORE | 1 | LH260ATV.19.16 | 8E019160000 2215 |
| 16 | 27258 | GEAR SENSOR HARNESS (FOR 05 A | 1 | LH260ATV.19.16-8E019160001E | 2216 |
| 18 | 25517 | RUBBER SHEATH 1 | | LH260ATV.19.16-8E019160001 | 2217 |
| 19 | 25519 | RUBBER SHEATH 2 | | LH260ATV.19.16-8E019160002 | 2218 |
| 21 | 25520 | DISPLAY HARNESS | 1 | LH260ATV.19.2 (8E01902B000 | 2219 |
| 23 | 22008 | WARNING BUZZER (NOT FOR 30101 | 1 | LH260ATV.19.7 | 8E019070000 2220 |
| 24 | 22019 | 7.5 AMP FUSE | 1 | | B31207A 2221 |
| 25 | 22020 | 15 AMP FUSE | 2 | | B31215 2222 |
| 26 | 22021 | 3 AMP FUSE | 1 | | B31203 2223 |
| 27 | 32021 | CAPCITOR | 1 | LH260ATV.19.17 | 8E019170000 2224 |
| 28 | 22012 | IGNITON COIL AND WIRE | 1 | 170M.6.2 | 1L006020000 2225 |
| 29 | 70400 | ACCESSORY SOCKET ASSY | 1 | LH520ATV.23.12 | 2226 |

17 BRAKING SYSTEM



| REF. No. | PART NO. | DESCRIPTION | Q'TY | 图号 | PART NO. |
|----------|----------|--------------------------------|------|--------------------|--------------------|
| 1 | 2211120 | BRAKE LEVER | 1 | LH260ATV.5.1-3 | 2301 |
| 2 | 27320 | MASTER CYLINDER WITH BRAKE LEV | 1 | LH400ATV-2.24.8 | 2302 |
| 3 | 22102 | HAND BRAKE HOSE | 1 | LH260ATV.5.1.3 | 8E005010300 2303 |
| 4 | 27321 | FRONT BRAKE DISC | 2 | LH400ATV-2.24-1 | 2304 |
| 5 | 32205A | BRAKE CALIPER LEFT,FRONT | 1 | LH260ATV.5.1b.1 | 8E00501b0100 2305 |
| 6 | 21811 | CLAMP | 2 | LH260ATV.5.1.1 | 8E005010100 2306 |
| 7 | 22229 | FRONT BRAKE HOSE 2 | 1 | LH260ATV.5.1.12 | 8E005011200 2307 |
| 8 | 32105 | RUBBER TUBE1 | 3 | LH260ATV.5.1a.-; | 8E00501a000z 2308 |
| 9 | 27313 | FRONT BRAKE HOSE 1 | 1 | LH400ATV-2.24.1 | 2309 |
| 10 | 32107 | BRAKE LINE COUPLER | 1 | LH260ATV.5.1a-4 | 8E00501a000z 2310 |
| 11 | 27314 | TUBE DISKBRAKE REAR | 1 | LH400ATV-2.24.2 | 2311 |
| 12 | 27315 | REAR BRAKE HOSE 1 | 1 | LH400ATV-2.24.3 | 2312 |
| 13 | 70537 | REAR BRAKE DISC | 2 | LH520ATV.24.8 | 2313 |
| 14 | 70520 | BRAKE CALIPER LEFT,REAR | 1 | LH520ATV.24.6 | 2314 |
| 15 | 27316 | REAR BRAKE HOSE 2 | 1 | LH400ATV-2.24.4 | 2315 |
| 16 | 27377 | REAR BRAKE HOSE 3 | 1 | LH400ATV-2B.24.1 | 2316 |
| 17 | 27378 | FOOT BRAKE CYLINDER | 1 | LH400ATV-2B.24.2 | 2317 |
| 18 | 27379 | RESERVOIR HOSE | 1 | LH400ATV-2B.24.3 | 2318 |
| 19 | 70496 | RESERVOIR | 1 | LH520ATV.24.25 | 2319 |
| 20 | 10109 | NUT M5 | 1 | GB/T6187 | 2320 |
| 21 | 10108 | BOLT M5X12 | 1 | GB/T16674.1 | 2321 |
| 22 | 27317 | TUBE DISKBRAKE,FOOT BRAKE | 1 | LH400ATV-2.24.5 | 2322 |
| 23 | 32233 | FRONT BRAKE HOSE2 | 1 | LH260ATV.5.1a.12 | 2323 |
| 24 | 32231A | BRAKE CALIPER RIGHT | 1 | LH260ATV.5.1b.2 | 8E00501b0200 2324 |
| 25 | 70483 | FRONT BRAKE HOSE3 | 1 | LH520ATV.24.20 | 2325 |
| 26 | 70548 | FOUR LINE COUPLER | | LH520ATV.24-3 | 2326 |
| 27 | 10001 | BOLT M5X15 | 4 | GB/T818 | 2327 |
| 28 | 27283 | BOLT M6X22 | 2 | LH260ATV-B.24.1-20 | 2328 |
| 29 | 27277 | CAP | 1 | LH260ATV.5.1.2- | 8E005010201/ 2329 |
| 30 | 32243F | FOOT BRAKE MOUNTING PLATE | 1 | LH260ATV.1.14e. | 8E00114e0100 2330 |
| 31 | 22242 | RETURN SPRING | 1 | LH260ATV.1.14-18 | 8E001140001 2331 |
| 32 | 32241F | BRAKE PEDAL | 1 | LH260ATV.1.14e. | 8E00114e0200 2332 |
| 33 | 10115 | RETAINER | 1 | GB/T894.1-14 | B036214 2333 |
| 34 | 22238 | WASHER | 1 | LH260ATV.1.14-2 | 8E001140002 2334 |
| 35 | 10113 | BOLT M5X8 | 6 | GB/T818-M5X8 | B02020508 2335 |
| 36 | 10113 | BOLT M5X8 | 1 | GB/T818-M5X8 | B02020508 2336 |
| 37 | 22235 | BRAKE LINE CLAMP SMALL | 1 | LH260ATV.2-25 | 8E002000025 2337 |
| 38 | 22236 | BRAKE LINE CLAMP LARGE | 3 | LH260ATV.2-24 | 8E002000024 2338 |
| 39 | 22243 | STORP SWITCH FRONT | 1 | LH260ATV.5.1.14 | 8E005011400 2339 |
| 40 | 32246 | SPRING. STOP SWITCH | 1 | LH260ATV.19 | (B8E019B00000 2340 |
| 41 | 32252 | SERVICE KIT | 1 | | 2341 |
| 42 | 27340 | INSIDE AND OUTSIDE PAD ,FRONT | 4 | | T000402 2342 |
| 43 | 70525 | INSIDE AND OUTSIDE PAD,REAR | 2 | LH520ATV.24.6.2 | 2343 |
| 44 | 10004 | NUT M6 | 2 | GB/T6187-M6 | B015506 2344 |
| 45 | 10110 | BOLT M6X20 | 3 | GB/T5787-M6X20 | B01040620 2345 |

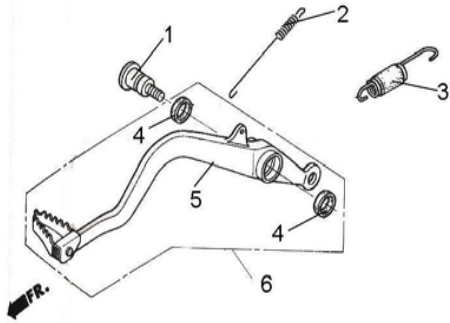
24.2 AUXILIARY BRAKE (FOR EUROPE)



| REF. No. | DESCRIPTION | Q'TY | 图号 | |
|----------|---------------------------------------|------|-------------------|------|
| 1 | 70636 MASTER CYLINDER(WITH LEVER) | 1 | LH520ATV.27.1 | 2401 |
| 2 | 70637 BRACK CABLE | 1 | LH520ATV.27.2 | 2402 |
| 3 | 70638 BRACK CALIPER(SEE THE DETAIL OF | 1 | LH520ATV.27.3 | 2403 |
| 4 | 70643 DISK BRAKE | 1 | LH520ATV.27.3-1 | 2404 |
| 5 | 70645 INSIDE AND OUTSIDE PAD | 2 | LH520ATV.27.3-2 | 2405 |
| 6 | 10218 BOLT M8X40 | 2 | GB/T16674.1 | 2406 |
| 7 | 27284 BRAKE PAD | 2 | LH260ATV-B.26.2.1 | 2407 |

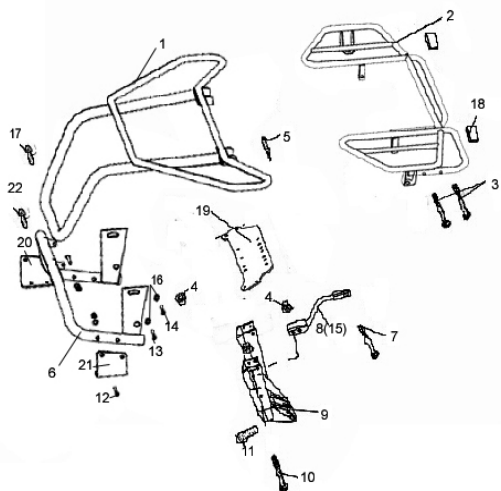
24.2

19 PEDAL,BRAKE



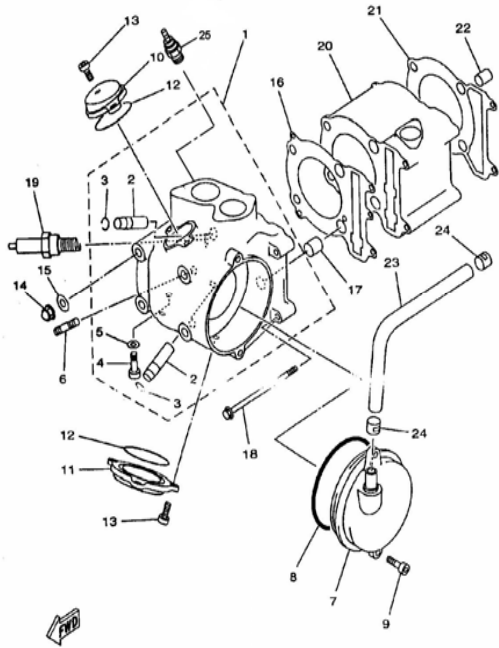
| REF. No. | PART No. | DESCRIPTION | Q'TY | 图号 | PART No. |
|----------|----------|--------------------|------|-----------------|------------------|
| 1 | 70542 | SHAFT,BRAKE PIVOT | 1 | LH520ATV.24.9-2 | 8G024090002 2501 |
| 2 | 27349 | SPRING,STOP SWITCH | 1 | LH400ATV-2B.1-3 | 2502 |
| 3 | 29648 | SPRING ASSY | 1 | LH260ATV.15-3 | 8E015000001 2503 |
| 4 | 70540 | DUST SEAL | 2 | LH520ATV.24.9.2 | 8G024090200 2504 |
| 5 | 25146 | PEDAL BRAKE | 1 | LH260ATV-B.24.2 | 8K024020100 2505 |
| 6 | 25147 | PEDAL BRAKE ASSY | 1 | LH260ATV-B.24.2 | 8K024020000 2506 |

18 BUMPER & RACK



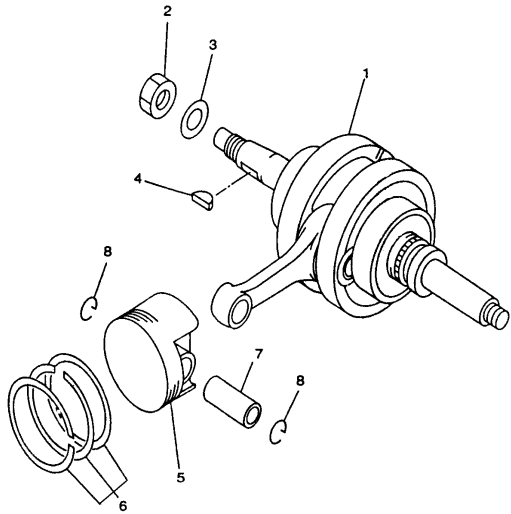
| REF. No. | PART No. | DESCRIPTION | Q'TY | 图号 | PART No. |
|----------|----------|-------------------------------|------|-----------------------------|----------|
| 1 | 27359 | REAR RACK | 2 | LH400ATV-2B.21.1a | 2601 |
| 2 | 27364 | REAR RACK | 1 | LH400ATV-2B.22.1 | 2602 |
| 3 | 10055 | BOLTM8X45 | 4 | GB/16674.1-M8X-B01040845 | 2603 |
| 4 | 10079 | NUT M8 | 4 | GB/T6187-M8 B015508 | 2604 |
| 5 | 10059 | BOLT M8X25 | 2 | GB/T16674.1-M8;B01040825 | 2605 |
| 6 | 25149 | FRONT RACK | 1 | LH260ATV-B.21.1-2K021050000 | 2606 |
| 7 | 25150 | BOLT M8X85 | 2 | GB/T16674.1-M8;B01040885 | 2607 |
| 8 | 25219L | TRESTLE 1 LEFT | 1 | LH260ATV-B.21-2K021000003 | 2608 |
| 9 | 20258 | BUMPER BRACKET | 1 | LH260ATV-B.21-2K021030000 | 2609 |
| 10 | 25056 | BOLT M8X70 | 4 | GB/T16674.1-M8;B01040870 | 2610 |
| 11 | 10059 | BOLT M8X25 | 2 | GB/T16674.1-M8;B01040825 | 2611 |
| 12 | 29506 | BOLT M8X55 | 4 | GB/T16674.1-M8;B01040855 | 2612 |
| 13 | 10081 | BOLT M8X20 | 2 | GB/T16674.1-M8;B01040820 | 2613 |
| 14 | 10059 | BOLT M8X25 | 2 | GB/T16674.1-M8;B01040825 | 2614 |
| 15 | 25219R | TRESTLE 1 RIGHT | 4 | LH260ATV-B.21-2K021000004 | 2615 |
| 16 | 26009 | WASHER 8 | 4 | GB/T96 8 | 2616 |
| 17 | 10081 | BOLT M8X20 | 2 | GB/T16674.1-M8;B01040820 | 2617 |
| 18 | 22321 | FRONT REFLECTOR (RED) (FOR EU | 2 | T001102 | 2618 |
| 19 | 70366 | BRACKET,PULLING | 1 | LH520ATV.21-1 8G021000017 | 2619 |
| 20 | 27387 | HOLDER,R.PULLIN BRACKET | 1 | LH400ATV-B.21.1-9 | 2620 |
| 21 | 27386 | HOLDER,L.PULLIN BRACKET | 1 | LH400ATV-B.21.1-10 | 2621 |
| 22 | 10140 | BOLT M6X12 | 4 | GB/T16674.1 B01040612 | 2622 |

19 CYLINDER



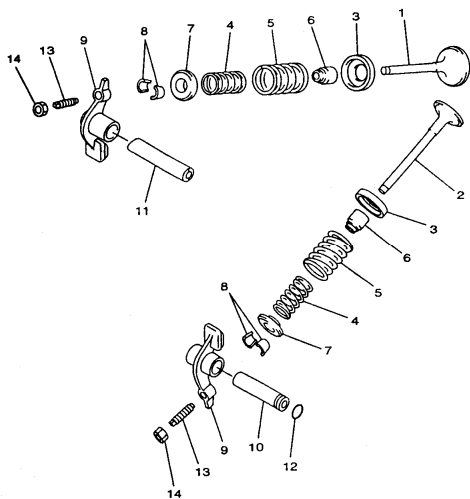
| REF. No. | PART NO. | DESCRIPTION | Q'TY | 图号 | PART NO. | |
|----------|----------|----------------------|------|---------------|-------------|------|
| 1 | 27337 | CYLINDER HEAD ASSY | 1 | LH180MQ.1.1 | 1L001010000 | 2701 |
| 2 | 27338 | GUIDE INTAKE VALVE | 2 | LH180MQ.1.1-2 | 1L001010002 | 2702 |
| 3 | 10112 | CIRCLIP 12 | 2 | 170M.1.1-6 | 1L001010006 | 2703 |
| 4 | 10086 | BOLT M6X12 | 1 | GB5783 | B01010612 | 2704 |
| 5 | 22810 | GASKET 6 | 1 | 170M.1-9 | 1L001000009 | 2705 |
| 6 | 10014 | BOLT STUD M8X25 | 2 | GB898 | B01420825 | 2706 |
| 7 | 22407 | BREATHER ASSY | 1 | 170M-A.1.2.1 | 1L001020100 | 2707 |
| 8 | 22408 | O-RING 95X3.3 | 1 | 170M.1.2-5 | 1L001020005 | 2708 |
| 9 | 10008 | BOLT SOCKET HEAD M€ | 2 | GB70 | B02010620 | 2709 |
| 10 | 22410 | VALVE COVER INTAKE € | 1 | 170M.1-1 | 1L001000001 | 2710 |
| 11 | 22411 | VALVE COVER EXHAUS | 1 | 170M.1-3 | 1L001000003 | 2711 |
| 12 | 22412 | O-RING 57.5X2.3 | 2 | 170M.1-2 | 1L001000002 | 2712 |
| 13 | 10008 | BOLT SOCKET HEAD M€ | 5 | GB70 | B02010620 | 2713 |
| 14 | 22414 | NUT CROWN M8 | 4 | 170M.4-1 | 1L004000001 | 2714 |
| 15 | 22415 | WASHER PLATE 8 | 4 | 170M.4-2 | 1L004000002 | 2715 |
| 16 | 27221 | GASKET CYLINDER HEA | 1 | LH180MQ.1.3 | 1L001030000 | 2716 |
| 17 | 22417 | PIN DOWEL 14X16 | 2 | 170M.1-6 | 1L001000006 | 2717 |
| 18 | 27339 | BOLT FLANGE M6X130 | 2 | 180MQ.4-4 | 1L004000004 | 2718 |
| 19 | 22419 | PLUG SPARK-NGK DR8E | 1 | 170M.1.5 | 1L001050000 | 2719 |
| 20 | 27228 | CYLINDER | 1 | LH180MQ.1-5 | 1L001000005 | 2720 |
| 21 | 27226 | GASKET CYLINDER | 1 | LH180MQ.1-4 | 1L001000004 | 2721 |
| 22 | 22422 | PIN DOWEL 10X14 | 2 | 1E52FM010011 | 1E001001100 | 2722 |
| 23 | 22423 | PIPE BREATHER1 | 1 | 170M.1.2-4 | 1L001020004 | 2723 |
| 24 | 43514 | CLIP 13MM | 2 | 170M.20-4 | 1L020000004 | 2724 |
| 25 | 22014 | THERMO UNIT | 1 | 170M.1.4 | 1L001040000 | 2725 |

20 CRANKSHAFT COMP

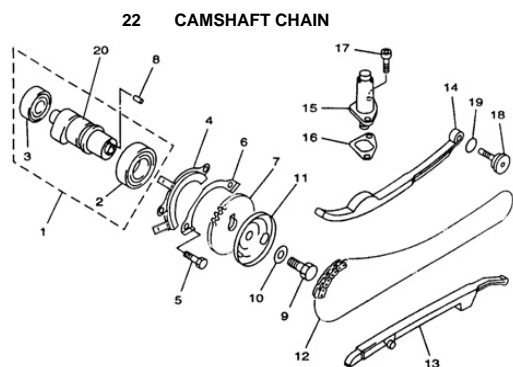


| REF. No. | PART NO. | DESCRIPTION | Q'TY | 图号 | PART NO. | |
|----------|----------|-----------------|------|----------------|-------------|------|
| 1 | 27238 | CRANKSHAFT ASSY | 1 | LH180MQ.3.2 | 1L103020000 | 2801 |
| 2 | 22502 | NUT M16X1 | 1 | 170M.3-1 | 1L003000001 | 2802 |
| 3 | 22503 | WASHER PLATE 16 | 1 | 170M.3-2 | 1L003000002 | 2803 |
| 4 | 22504 | KEY WOODRUFF | 1 | 170M.3-3 | 1L003000003 | 2804 |
| 5 | 27241 | PISTON | 1 | LH180MQ.3-6 | 1L003000006 | 2805 |
| 6 | 27242 | PISTON RING SET | 1 | LH180MQ.3-7/LH | 1L003000007 | 2806 |
| 7 | 27240 | PISTON PIN | 1 | LH180MQ.3-5 | 1L003000005 | 2807 |
| 8 | 27239 | CLIP | 2 | LH180MQ.3-4 | 1L003000004 | 2808 |

21 VALVE

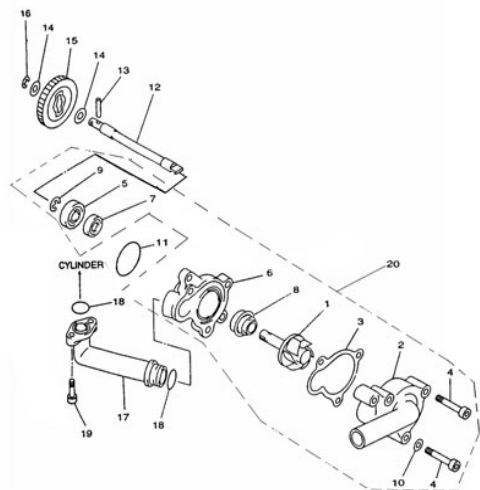


| REF. No. | PART NO. | DESCRIPTION | Q'TY | 图号 | PART NO. | |
|----------|----------|----------------------|------|---------------|-------------|------|
| 1 | 27222 | INTAKE VALVE | 1 | LH180MQ.12-11 | 1L012000011 | 2901 |
| 2 | 27223 | EXHAUST VALVE | 1 | LH180MQ.12-3 | 1L012000003 | 2902 |
| 3 | 22603 | SEAT SPRING VALVE | 2 | 170M.12-12 | 1L012000012 | 2903 |
| 4 | 22604 | SPRING VALVE INNER | 2 | 170M.12-10 | 1L012000010 | 2904 |
| 5 | 22605 | SPRING VALVE OUTER | 2 | 170M.12-9 | 1L012000009 | 2905 |
| 6 | 22606 | SEAL VALVE STEM | 2 | 170M.12.1 | 1L012010000 | 2906 |
| 7 | 22607 | RETAINER SPRING VAL' | 2 | 170M.12-5 | 1L012000005 | 2907 |
| 8 | 22608 | COTTER VALVE | 4 | 170M.12-4 | 1L012000004 | 2908 |
| 9 | 22609 | ROCKER ARM VALVE | 2 | 170M.12.2 | 1L012020000 | 2909 |
| 10 | 22610 | EXHAUST ROCKER SHA | 1 | 170M.12-6 | 1L012000006 | 2910 |
| 11 | 22611 | INTAKE ROCKER SHAFT | 1 | 170M.12-8 | 1L012000008 | 2911 |
| 12 | 22612 | O-RING 9X2 | 1 | 170M.12-7 | 1L012000007 | 2912 |
| 13 | 22613 | ADJUSTING SCREW VAI | 2 | 170M.12-2 | 1L012000002 | 2913 |
| 14 | 22614 | NUT M6X0.75 | 2 | 170M.12-1 | 1L012000001 | 2914 |



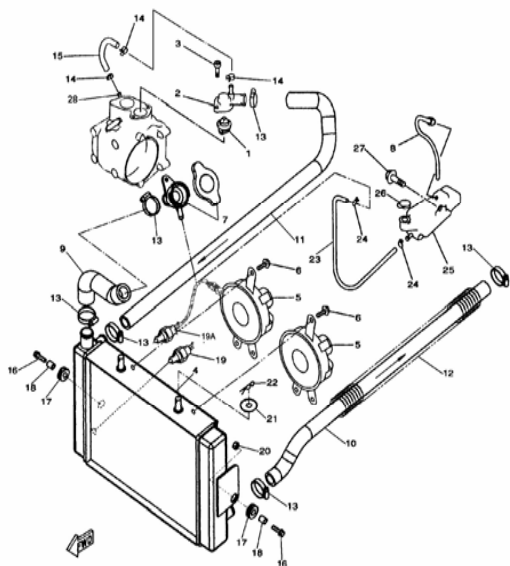
| REF. No. | PART NO. | DESCRIPTION | Q'TY | 图号 | PART NO. | |
|----------|----------|----------------------|------|-------------|--------------|------|
| 1 | 27234 | CAMSHAFT ASSY1 | 1 | LH180MQ.2 | 1L002000000 | 3001 |
| 2 | 10012 | BEARING | 1 | GB276 | B1316105 | 3002 |
| 3 | 10013 | BEARING(B6202Z) | 1 | GB276 | B13160202 | 3003 |
| 4 | 27237 | PLATE | 1 | LH180MQ.2-3 | 1L002000003 | 3004 |
| 5 | 10086 | BOLT M6X12 | 2 | GB5783 | B01010612 | 3005 |
| 6 | 27236 | LOCK WASHER | 1 | LH180MQ.2-2 | 1L002000002 | 3006 |
| 7 | 22707 | CAM CHAIN SPROCKET | 1 | 170M.2-4 | 1L002000004 | 3007 |
| 8 | 10024 | DOWEL PIN B4X10 | 1 | GB119 | B03124010 | 3008 |
| 9 | 10025 | BOLT M10X1.25X25 | 1 | GB5786 | B01021025A | 3009 |
| 10 | 22710 | WASHER PLATE 10 | 1 | 170M.2-6 | 1L002000006 | 3010 |
| 11 | 22711 | BREATHER PLATE2 | 1 | 170M.2-5 | 1L002000005 | 3011 |
| 12 | 27201 | CHAIN | 1 | 180MQ.14.2 | | 3012 |
| 13 | 27203 | GUIDE STOPPER1 | 1 | 180MQ.14.4 | | 3013 |
| 14 | 27202 | GUIDE STOPPER2 | 1 | 180MQ.14.3 | | 3014 |
| 15 | 22715A | CAM CHAIN TENSIONER | 1 | 170M.14.1a | 1L01401a0000 | 3015 |
| 16 | 22716 | GASKET TENSIONER C/ | 1 | 170M.14-1 | 1L014000001 | 3016 |
| 17 | 10036 | SOCKET HEAD BOLT M6 | 2 | GB70 | B02010614 | 3017 |
| 18 | 22718 | CHAIN TENSIONER PIVC | 1 | 170M.14-2 | 1L014000002 | 3018 |
| 19 | 22719 | O-RING 14.5X1.8 | 1 | 170M.14-3 | 1L014000003 | 3019 |
| 20 | 27235 | CAMSHAFT | 1 | LH180MQ.2-1 | 1L002000001 | 3020 |

23 WATER PUMP



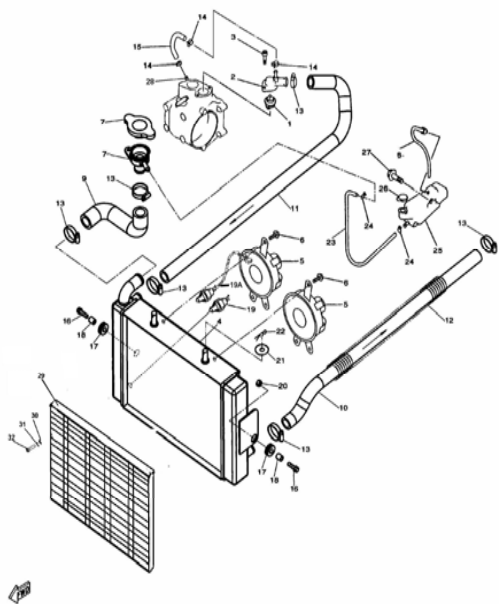
| REF. No. | PART NO. | DESCRIPTION | Q'TY | 图号 | PART NO. | |
|----------|----------|---------------------|------|----------------|-------------|------|
| 1 | 22801 | IMPELLER SHAFT ASSY | 1 | 170M.15.4 | 1L015040000 | 3101 |
| 2 | 22802 | HOUSING COVER | 1 | 170M.15-2 | 1L015000002 | 3102 |
| 3 | 22803 | GASKET HOUSING COV | 1 | 170M.15-5 | 1L015000005 | 3103 |
| 4 | 10041 | SOCKET HEAD BOLT M€ | 3 | GB70-M6X35 | B02010635 | 3104 |
| 5 | 10043 | BEARING | 1 | GB276 | B131E110 | 3105 |
| 6 | 22806 | WATER PUMP HOUSING | 1 | 170M.15-3 | 1L015000003 | 3106 |
| 7 | 22807 | OIL SEAL 10X21X5 | 1 | 170M.15.1 | 1L015010000 | 3107 |
| 8 | 22808 | MECHANICAL SEAL | 1 | 170M.15.2 | 1L015020000 | 3108 |
| 9 | 10044 | CIRCLIP 9 | 1 | 170M.15-6 | 1L015000006 | 3109 |
| 10 | 22810 | GASKET 6 | 1 | 170M.1-9 | 1L001000009 | 3110 |
| 11 | 10049 | O-RING 33.5X2.65 | 1 | GB3452.1 | B121335265 | 3111 |
| 12 | 27230 | SHAFT | 1 | LH180MQ.15-1 | 1L015000001 | 3112 |
| 13 | 10070 | DOWEL PIN C3X22 | 1 | GB119 | B03123022 | 3113 |
| 14 | 23814 | WASHER PLATE 8 | 2 | 170M.8-6 | 1L008000006 | 3114 |
| 15 | 22815 | IMPELLER SHAFT GEAR | 1 | 170M.15-4 | 1L015000004 | 3115 |
| 16 | 10072 | CIRCLIP 8 | 1 | GB894.1-8 | B036208 | 3116 |
| 17 | 27229 | JOINT | 1 | LH180MQ.15.3.1 | 1L015030100 | 3117 |
| 18 | 10082 | O-RING 15.5X2.5 | 2 | GB3452.1 | B121155250 | 3118 |
| 19 | 10083 | SOCKET HEAD BOLT M€ | 2 | GB70 | B02010615 | 3119 |
| 20 | 27227 | WATER PUMP ASSY | 1 | LH180MQ.15 | 1L015000000 | 3120 |

24 RADIATOR (FOR 2WD)



| REF. No. | PART NO. | DESCRIPTION | Q'TY | 图号 | PART NO. | |
|----------|----------|----------------------|------|----------------|--------------|------|
| 1 | 22901 | THERMOSTAT | 1 | 170M.11.7.2 | 1L011070200 | 3201 |
| 1 | 22901A | THERMOSTAT(ONLY FO | 1 | 170M.11.7.2a | 1L0110702A00 | 3202 |
| 2 | 22902 | THERMOSTAT COVER | 1 | 170M.11.7.1 | 1L011070100 | 3203 |
| 3 | 10085 | SOCKET HEAD BOLT M6 | 2 | GB70 | B02010625 | 3204 |
| 4 | 22904F | RADIATOR ASSY | 1 | 170M-A.11.3b | 1L11103b0000 | 3205 |
| 5 | 22905 | BLOWER ASSY | 2 | 170M-A.11.2 | 1L111020000 | 3206 |
| 6 | 10087 | FLANGE BOLT M6X9 | 6 | GB5787 | B01040609 | 3207 |
| 7 | 22907A | SAFETY VALVE | 1 | 170M.11.1.1 | 1L011010100 | 3208 |
| 8 | 23028 | PIPE 2 | 1 | 170M.11.6-2 | 1L011060002 | 3209 |
| 9 | 22909F | RADIATOR FILLER HOSI | 1 | 170M-A.11-2a | 1L111000002a | 3210 |
| 10 | 22910 | RETURN HOSE | 1 | 170M-A.11-14 | 1L111000014 | 3211 |
| 11 | 22911F | FEED HOSE | 1 | 170M-A.11-11 | 1L111000011 | 3212 |
| 12 | 22912 | COMPRESSION SPRING | 2 | 170M-A.11-10 | 1L111000010 | 3213 |
| 13 | 22913 | HOSE CLAMP1 | 6 | GB/T15001 | B25114/32 | 3214 |
| 14 | 22914 | HOSE CLAMP2 | 2 | 170M.1-7 | 1L001000007 | 3215 |
| 15 | 22915 | HOSE2 | 1 | 170M.11-13A | 1L011000013A | 3216 |
| 16 | 10110 | BOLT M6X20 | 2 | GB/T5787 | B01040620 | 3217 |
| 17 | 22917 | RADIATOR SIDE SUPT C | 2 | 170M.11-5 | 1L011000005 | 3218 |
| 18 | 22918 | COLLAR | 2 | 170M.11-6 | 1L011000006 | 3219 |
| 19 | 22919 | THERMOSTAT SWITCH | 1 | 170M.11.4 | 1L011040000 | 3220 |
| 19A | 22919A | THERMOSTAT SWITCH | 1 | 170M.11.4A | 1L01104A0000 | 3221 |
| 20 | 10004 | NUT M6 | 2 | GB/6187 | B015506 | 3222 |
| 21 | 10019 | WASHER PLATE 10 | 2 | GB97 | B025310 | 3223 |
| 22 | 10094 | CLIP 2X20 | 2 | GB91 | B03112020 | 3224 |
| 23 | 22923 | PIPE 1 | 1 | 170M.11.6-5 | 1L011060005 | 3225 |
| 24 | 22924 | CLIP | 2 | 170M.11.6-4 | 1L011060004 | 3226 |
| 25 | 22925 | TANK RECOVERY | 1 | 170M.11.6-3 | 1L011060003 | 3227 |
| 26 | 22926 | CAP | 1 | 170M.11.6.1 | 1L011060100 | 3228 |
| 27 | 10140 | BOLT FLANGE M6X12 | 1 | GB/T5787-M6X12 | B01040612 | 3229 |
| 28 | 23001 | JOIN | 1 | 170M.1.1-5 | 1L011010005 | 3230 |

24 RADIATOR (FOR 4WD)

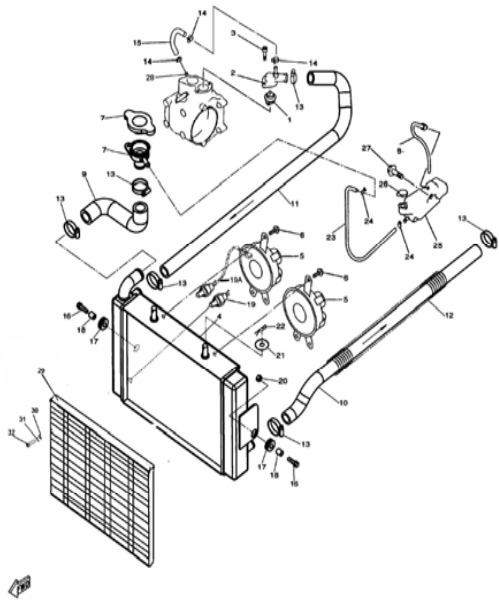


| REF. No. | PART NO. | DESCRIPTION | Q'TY | 图号 | PART NO. | |
|----------|----------|----------------------|------|---------------|--------------|------|
| 1 | 22901 | THERMOSTAT | 1 | 170M.11.7.2 | 1L011070200 | 3301 |
| 1 | 22901A | THERMOSTAT(ONLY FO | 1 | 170M.11.7.2a | 1L0110702A00 | 3302 |
| 2 | 22902 | THERMOSTAT COVER | 1 | 170M.11.7.1 | 1L011070100 | 3303 |
| 3 | 10085 | SOCKET HEAD BOLT M6 | 2 | GB70 | B02010625 | 3304 |
| 4 | 22904T | RADIATOR ASSY (THICK | 1 | 170M-A.11.3c | 1L11103c0000 | 3305 |
| 5 | 22905 | BLOWER ASSY | 2 | 170M-A.11.2 | 1L111020000 | 3306 |
| 6 | 10087 | FLANGE BOLT M6X9 | 6 | GB5787 | B01040609 | 3307 |
| 7 | 22907A | SAFETY VALVE | 1 | 170M.11.1.1 | 1L011010100 | 3308 |
| 8 | 23028 | PIPE 2 | 1 | 170M.11.6-2 | 1L011060002 | 3309 |
| 9 | 22909T | RADIATOR FILLER HOSE | 1 | 170M-A.11-2b | 1L111000002b | 3310 |
| 10 | 22910T | RETURN HOSE | 1 | 170M-A.11-14a | 1L111000014b | 3311 |
| 11 | 22911F | FEED HOSE | 1 | 170M-A.11-11 | 1L111000011 | 3312 |
| 12 | 22912 | COMPRESSION SPRING | 2 | 170M-A.11-10 | 1L111000010 | 3313 |
| 13 | 22913 | HOSE CLAMP1 | 6 | GB/T15001 | B25114/32 | 3314 |
| 14 | 22914 | HOSE CLAMP2 | 2 | 170M.1-7 | 1L001000007 | 3315 |
| 15 | 22915 | HOSE1 | 1 | 170M.11-13A | 1L011000013A | 3316 |
| 16 | 10110 | BOLT M6X20 | 2 | GB/T5787 | B01040620 | 3317 |
| 17 | 22917 | RADIATOR SIDE SUPT C | 2 | 170M.11-5 | 1L011000005 | 3318 |
| 18 | 22918 | COLLAR | 2 | 170M.11-6 | 1L011000006 | 3319 |
| 19 | 22919 | THERMOSTAT SWITCH | 1 | 170M.11.4 | 1L011040000 | 3320 |
| 19A | 22919A | THERMOSTAT SWITCH | 1 | 170M.11.4A | 1L01104A0000 | 3321 |
| 20 | 10004 | NUT M6 | 2 | GB/6187 | B015506 | 3322 |
| 21 | 10019 | WASHER PLATE 10 | 2 | GB97 | B025310 | 3323 |
| 22 | 10094 | CLIP 2X20 | 2 | GB91 | B03112020 | 3324 |
| 23 | 22923 | PIPE 1 | 1 | 170M.11.6-5 | 1L011060005 | 3325 |
| 24 | 22924 | CLIP | 2 | 170M.11.6-4 | 1L011060004 | 3326 |
| 25 | 22925 | TANK RECOVERY | 1 | 170M.11.6-3 | 1L011060003 | 3327 |
| 26 | 22926 | CAP | 1 | 170M.11.6.1 | 1L011060100 | 3328 |

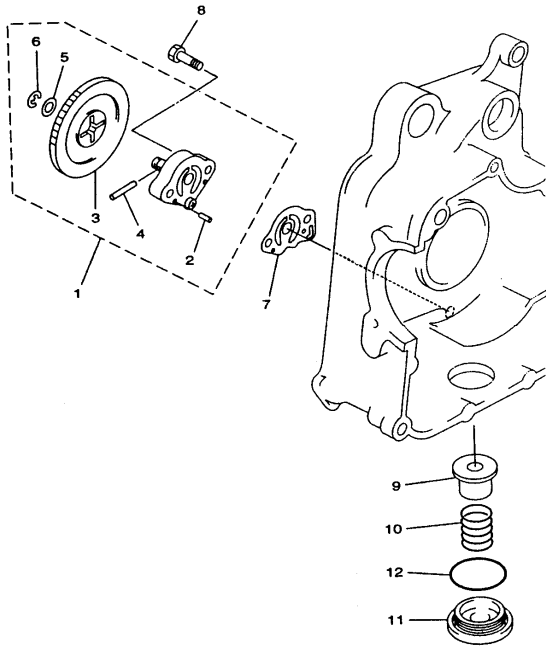
24 RADIATOR (FOR 4WD)

29A

| REF. No. | PART NO. | DESCRIPTION | Q'TY | 图号 | PART NO. | |
|----------|----------|---------------------|------|----------------|--------------|------|
| 27 | 10140 | BOLT FLANGE M6X12 | 1 | GB/T5787-M6X12 | B01040612 | 3401 |
| 28 | 23001 | JOIN | 1 | 170M.1.1-5 | 1L001010005 | 3402 |
| 29 | 23002 | FENDER (USED FOR 5 | 1 | 170M-A.11.3d.1 | 1L11103d0100 | 3403 |
| 30 | 10006 | WASHER 6 (USED FOR | 4 | GB/T97 | B025306 | 3404 |
| 31 | 10308 | SPRING WASHER (USE | 4 | GB/T93 | B025106 | 3405 |
| 32 | 10423 | BOLT FLANGE M6X14 (| 4 | GB/T5783 | B01010614 | 3406 |



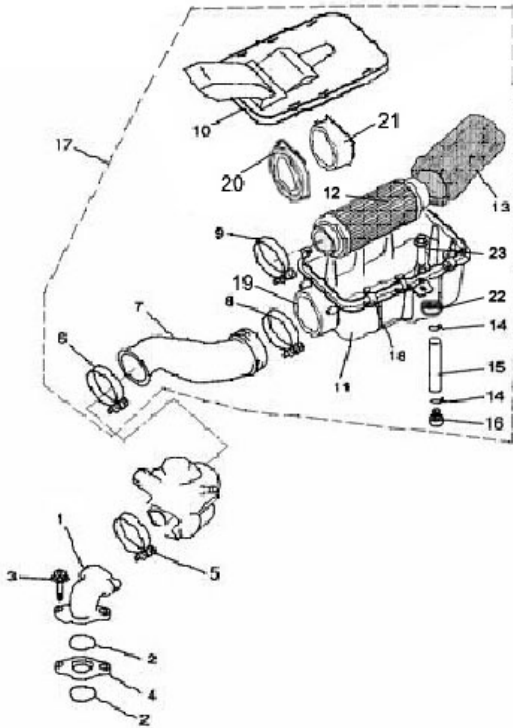
25 OIL PUMP



30A

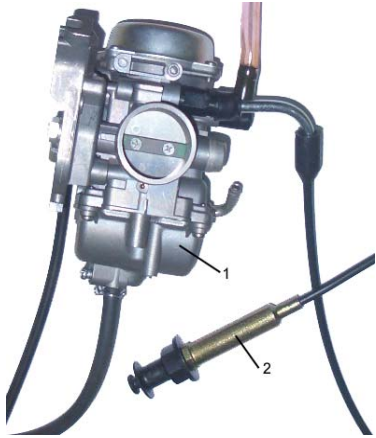
| REF. No. | PART NO. | DESCRIPTION | Q'TY | 图号 | PART NO. | |
|----------|----------|--------------------|------|-------------|-------------|------|
| 1 | 27245 | OIL PUMP ASSY | 1 | LH180MQ.8 | 1L008000000 | 3501 |
| 2 | 10096 | DOWEL PIN 3X12 | 2 | GB309-3X12 | B1510312 | 3502 |
| 3 | 23103 | GEAR PUMP DRIVEN | 1 | 170M.8-8 | 1L008000008 | 3503 |
| 4 | 10097 | DOWEL PIN C3X22 | 1 | GB309-3X22 | B1510322 | 3504 |
| 5 | 23814 | WASHER PLATE | 1 | 170M.8-6 | 1L008000006 | 3505 |
| 6 | 10130 | CIRCLIP | 1 | GB896-6 | B036306 | 3506 |
| 7 | 23107 | GASKET | 1 | 170M.8-1 | 1L008000001 | 3507 |
| 8 | 10098 | SCREW M6X25 | 2 | GB191-M6X25 | B02080625 | 3508 |
| 9 | 23109 | OIL STRAINER | 1 | 170M.4.6 | 1L004060000 | 3509 |
| 10 | 23110 | COMPRESSION SPRING | 1 | 170M.4-15 | 1L004000015 | 3510 |
| 11 | 23111 | DRAIN PLUG | 1 | 170M.4-14 | 1L004000014 | 3511 |
| 12 | 23112 | O-RING 36X3.5 | 1 | 170M.4-13 | 1L004000013 | 3512 |

26 AIR CLEANER



| REF. No. | PART NO. | DESCRIPTION | Q'TY | 图号 | PART NO. |
|----------|--------------|---------------------------|------|----------------|------------------|
| 1 | 27219 | JOINT CARBURETOR(FOR USA) | | LH180MQ.1.1 | 3601 |
| 1 | 27220 | JOINT CARBURETOR(FC) | 1 | LH180MQ.1.1a | 3602 |
| 2 | 23202 | O-RING 35X2 | 2 | 170M.17-13 | 1L017000013 3603 |
| 3 | 10085 | SCOKET HEAD BOLT M6 | 2 | GB70 | B02010625 3604 |
| 4 | 27225 | JOINT | 1 | LH180MQ.13-1 | 3605 |
| 5 | 23205 | HOSE CLAMP D | 1 | 170M.17.4 | 1L017040000 3606 |
| 6 | 23206 | HOSE CLAMP C | 1 | LH260ATV.16.6 | 8E016060000 3607 |
| 7 | 27286 | AIR CLEANER JOINT | 1 | LH400ATV.16-2 | 3608 |
| 8 | 23208 | HOSE CLAMP B | 1 | LH260ATV.16.4 | 8E016040000 3609 |
| 9 | 23209 | HOSE CLAMP A | 1 | LH260ATV.16.2 | 8E016020000 3610 |
| 10 | 23210 | COVER AIR CLEANER | 1 | LH260ATV.16.5 | 8E016050000 3611 |
| 11 | 23211 | AIR CLEANER CASE1 | 1 | LH260ATV.16.3 | 8E016030000 3612 |
| 12 | 23212 | ELEMENT COMP AIR CL | 1 | LH260ATV.16.1 | 8E016010000 3613 |
| 13 | 23213 | FILTER COVER | 1 | LH260ATV.16.7 | 8E016070000 3614 |
| 14 | 23214 | CLIP | 2 | LH260ATV.16-4 | 8E016000004 3615 |
| 15 | 23215 | HOSE | 1 | LH260ATV.16-3 | 8E016000003 3616 |
| 16 | 23216 | PLUG | 1 | LH260ATV.16-5 | 8E016000005 3617 |
| 17 | 23217 | AIR CLEANER ASSY | 1 | LH260ATV.16 | 8E016000000 3618 |
| 18 | 23218A | AIR CLEANER COVER C | 6 | LH260ATV.16-10 | 8E016000010 3619 |
| 19 | 25587 | JOINT, AIR CLEANER | 1 | LH260ATV.16-7 | 8E016000007 3620 |
| 20 | 25588 | WASHER, AIR CLEANER | 1 | LH260ATV.16-8 | 8E016000008 3621 |
| 21 | 25589 | JOINT FIXED, AIR CLEANER | 1 | LH260ATV.16-9 | 8E016000009 3622 |
| 22 | 25600 | RUBBER WASHER | 2 | LH260ATV.16-6 | 8E016000006 3623 |
| 23 | 10182 | BOLT M6X30 | 2 | GB/T16674.1 | B01040630 3624 |

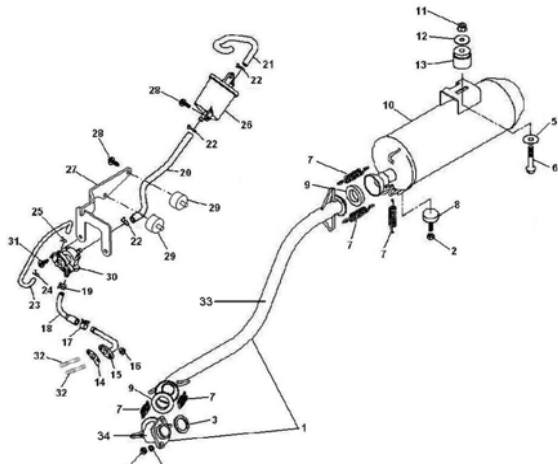
27 CARBURETOR



| REF. No. | PART NO. | DESCRIPTION | Q'TY | 图号 | PART NO. | |
|----------|----------|-----------------|------|--------------|-------------|------|
| 1 | 27224 | CARBURETOR ASSY | 1 | LH180MQ.13.2 | 1L013020000 | 3701 |
| 2 | 70180 | LINE ASSY | 1 | LH2V70.14.7 | | 3702 |

28 EXHAUST (FOR EUROPE)

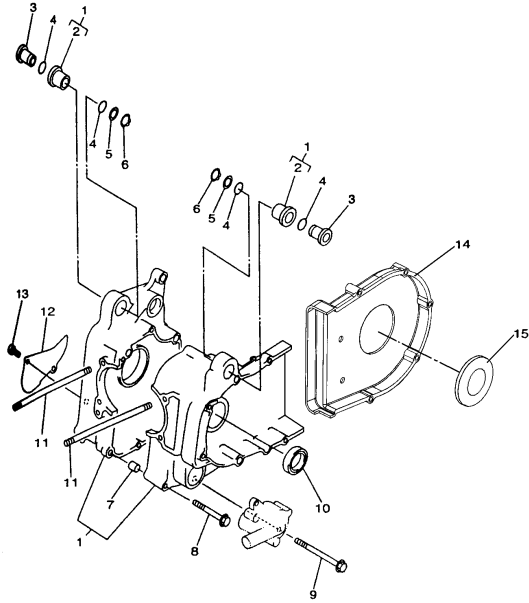
34



| REF. No. | CODE | DESCRIPTION | Q'TY | PART No. | PART No. | |
|----------|--------|----------------------|------|----------------------------|--------------|------|
| 1 | 25200 | EXHAUST PIPE | 1 | LH260ATV-B.14.:8K014020000 | 3801 | |
| 2 | 10099 | NUT M8 | 4 | GB/T6170 | B015808 | 3802 |
| 3 | 23403 | EXHAUST PIPE GASKET | 1 | 170M.19.3 | 1L019030000 | 3803 |
| 4 | 10106 | WASHER 8 | 2 | GB/T93 | B025108 | 3804 |
| 5 | 10117 | WASHER PLATE 10 | 1 | GB/T96 | B025210 | 3805 |
| 6 | 27209 | BOLT FLANGE M10X1.25 | 1 | GB/T16674.1 | B01041062A | 3806 |
| 7 | 23408 | SPRING | 5 | LH260ATV.15-1 | 8E015000001 | 3807 |
| 8 | 25202 | MUFFLER SUPPORT BO | 1 | LH260ATV-B.14.:8K014040000 | 3808 | |
| 9 | 25222 | JOUNT | 1 | LH260ATV-B.14.:8K014030000 | 3809 | |
| 10 | 27351 | MUFFLER | 1 | LH400ATV-2B.14.2 | 3810 | |
| 11 | 10015 | NUT M10X1.25 | 1 | GB/T6187 | B015510A | 3811 |
| 12 | 10117 | WASHER PLATE 10 | 1 | GB/T96 | B025210 | 3812 |
| 13 | 27352 | MUFFLER SUPPORT | 1 | LH400ATV-2B.15.2 | 3813 | |
| 14 | 43510 | WASHER | 1 | 170M.20-10 | 1L020000010 | 3814 |
| 15 | 43511A | HOSE | 1 | 170M-A.20.3a | 1L12003A0000 | 3815 |
| 16 | 10004 | NUT M6 | 2 | GB/T6187 | B015506 | 3816 |
| 17 | 43513 | CLIP 16 | 1 | 170M.20-9 | 1L020000009 | 3817 |
| 18 | 43512 | HOSE C | 1 | 170M.20-8 | 1L020000008 | 3818 |
| 19 | 43514 | CLIP 13 | 1 | 170M.20-4 | 1L020000004 | 3819 |
| 20 | 43525 | HOSE B | 1 | 170M.20-3 | 1L020000003 | 3820 |
| 21 | 43518 | HOSE A | 1 | 170M.20-1 | 1L020000001 | 3821 |
| 22 | 43519 | HOSE CLAMP 16 | 3 | 170M.20-2 | 1L020000002 | 3822 |
| 23 | 43520 | PIPE | 1 | 170M.20-7 | 1L020000007 | 3823 |
| 24 | 43521 | CLIP 9 | 1 | 170M.20-6 | 1L020000006 | 3824 |
| 25 | 43522 | CLIP 7.6 | 1 | 170M.20-5 | 1L020000005 | 3825 |
| 26 | 43523 | FILTER | 1 | 170M.20.1 | 1L020010000 | 3826 |
| 27 | 33227 | VALVE BRACKET | 1 | 170M-A.20.4a | 1L12004a0000 | 3827 |
| 28 | 10140 | BOLT M6X12 | 4 | GB/T16674.1 | B01040612 | 3828 |
| 29 | 20316 | RUBBER PAD | 8 | LH260ATV.1.15 | 8E001150000 | 3829 |
| 30 | 43516 | VALVE | 1 | 170M.20.2 | 1L020020000 | 3830 |
| 31 | 10263 | BOLT M6X20 | 2 | GB/T5789 | B01030620 | 3831 |
| 32 | 10263 | BOLT | 2 | 170M.20-11 | 1L020000011 | 3832 |
| 33 | 25594 | EXHAUST PIPE 1 | 1 | LH260ATV-B.14.:8K014020100 | 3833 | |
| 34 | 25595 | EXHAUST PIPE 2 | 1 | LH260ATV-B.14.:8K014020200 | 3834 | |

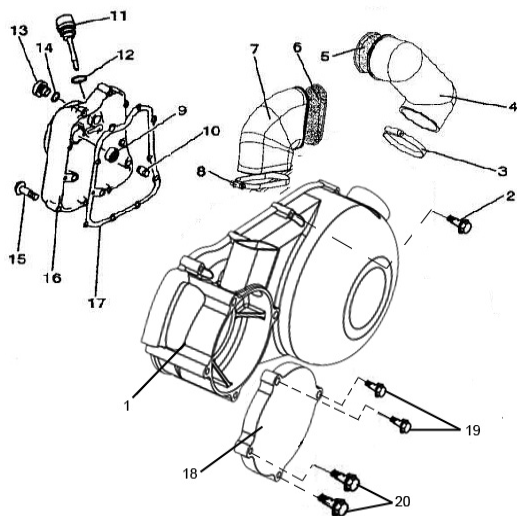
36

29 CRANKCASE



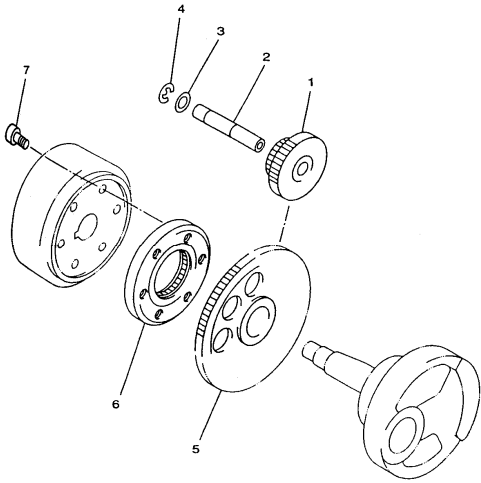
| REF. No. | PART NO. | DESCRIPTION | Q'TY | 图号 | PART NO. | |
|----------|----------|---------------------|------|-----------------|-------------|------|
| 1 | 27204 | CRANKCASE ASSY | 1 | 180MQ.4 | | 3901 |
| 2 | 23502 | HOLDER | 2 | 170M.4.7 | 1L004070000 | 3902 |
| 3 | 23503 | COLLAR | 2 | 170M.4-17 | 1L004000017 | 3903 |
| 4 | 23504 | O-RING16X2.5 | 4 | 170M.4-16 | 1L004000016 | 3904 |
| 5 | 23505 | WASHER PLATE 16 | 2 | 170M.4-18 | 1L004000018 | 3905 |
| 6 | 10121 | CIRCLIP 16 | 2 | GB894.1-16 | B036216 | 3906 |
| 7 | 22422 | DOWEL PIN 10X14 | 2 | 1E52FM010011 | 1E001001100 | 3907 |
| 8 | 23508 | FLANGE BOLT M6X70 | 4 | 170M.4-5 | 1L004000005 | 3908 |
| 9 | 23509 | FLANGE BOLT M6X100 | 5 | 153FM.16-9 | 1H016000009 | 3909 |
| 10 | 23510 | OIL SEAL 30X45X5 | 1 | 170M.4.3 | 1L004030000 | 3910 |
| 11 | 27205 | STUD BOLT M8X253.6 | 4 | 180MQ.4-3 | | 3911 |
| 12 | 23512 | COVER CRANKCASE RI | 1 | 170M.4-12 | 1L004000012 | 3912 |
| 13 | 10036 | SOCKET HEAD BOLT M6 | 2 | GB70 | B02010614 | 3913 |
| 14 | 27232 | REAR INSIDE COVER | 1 | LH180MQ.18.2-1 | | 3914 |
| 15 | 23515 | AIRPROOF COVER | 1 | LH260ATV.14.1-2 | 8E014010002 | 3915 |

30 LEFT&RIGHT COVER



| REF. No. | PART NO. | DESCRIPTION | Q'TY | 图号 | PART NO. | |
|----------|----------|---------------------|------|----------------------------|--------------|------|
| 1 | 27231 | COVER CRANKCASE LE | 1 | LH180MQ.18.1 | 4001 | |
| 2 | 10177 | FLANGE BOLT M6X40 | 6 | GB/T16674.1 | 4002 | |
| 3 | 23603 | HOSE CLAMP B | 1 | LH260ATV.14.2.48E014020400 | 4003 | |
| 4 | 23604 | JOINT A | 1 | LH260ATV.14.2.38E014020003 | 4004 | |
| 5 | 23605 | AIR STRAINER B | 1 | LH260ATV.14.2.38E014020300 | 4005 | |
| 6 | 23606 | AIR STRAINER A | 1 | LH260ATV.14.2.28E014020200 | 4006 | |
| 7 | 23607 | JOINT B | 1 | LH260ATV.14.2.8E014020001 | 4007 | |
| 8 | 23608 | HOSE CLAMP A | 1 | LH260ATV.14.2.18E014020100 | 4008 | |
| 9 | 23609 | OIL SEAL | 1 | 170M.5.1 | 1L005010000 | 4009 |
| 10 | 22422 | DOWEL PIN 10X14 | 4 | 1E52FM010011 | 1E001001100 | 4010 |
| 11 | 23611 | OIL PLUG | 1 | 170M.5-5 | 1L005000005 | 4011 |
| 12 | 10122 | O-RING 18X2.65 | 1 | GB3452.1 | B121180265 | 4012 |
| 13 | 23613 | OIL PLUG | 1 | 170M.5-4 | 1L005000004 | 4013 |
| 14 | 10123 | O-RING 14X2.65 | 1 | GB3452.1 | B121140265 | 4014 |
| 15 | 23615 | FLANGE BOLT M6X40 | 15 | 170M.4-21 | 1L004000021 | 4015 |
| 16 | 23616 | CAP COVER | 1 | 170M.5-1 | 1L005000001 | 4016 |
| | 23616A | CAP COVER (USE WITH | 1 | 170M.5-1a | 1L005000001a | 4017 |
| 17 | 23617 | CRANKCASE COVER GA | 1 | 170M.5-2 | 1L005000002 | 4018 |
| 18 | 27233 | FRONT COVER | 1 | LH180MQ.18-1 | 4019 | |
| 19 | 10110 | BOLT M6X20 | 2 | GB/T16674.1 | 4020 | |
| 20 | 27208 | BOLT M6X110 | 2 | GB/T16674.1 | 4021 | |

31 STARTER

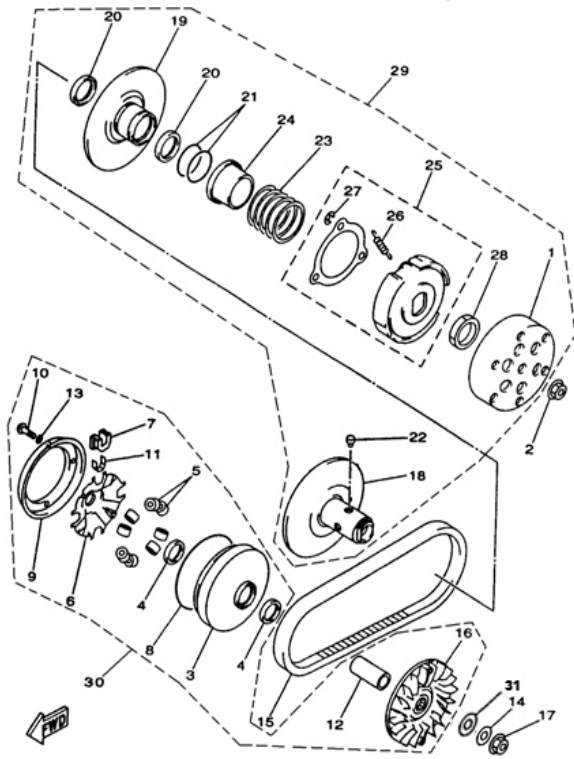


36

| REF. No. | PART NO. | DESCRIPTION | Q'TY | 图号 | PART NO. | |
|----------|----------|---------------------|------|----------|-------------|------|
| 1 | 23701 | GEAR IDLER | 1 | 170M.7.1 | 1L007010000 | 4101 |
| 2 | 23702 | SHAFT | 1 | 170M.7-2 | 1L007000002 | 4102 |
| 3 | 23703 | WASHER 12 | 1 | 170M.7-1 | 1L007000001 | 4103 |
| 4 | 10129 | CIRCLIP 12 | 1 | GB894.1 | B036212 | 4104 |
| 5 | 23705 | GEAR REDUCTION | 1 | 170M.7.2 | 1L007020000 | 4105 |
| 6 | 23706 | STARTER CLUTCH | 1 | 170M.7.3 | 1L007030000 | 4106 |
| 7 | 10131 | SOCKET HEAD BOLT M8 | 3 | GB70 | B02010816 | 4107 |

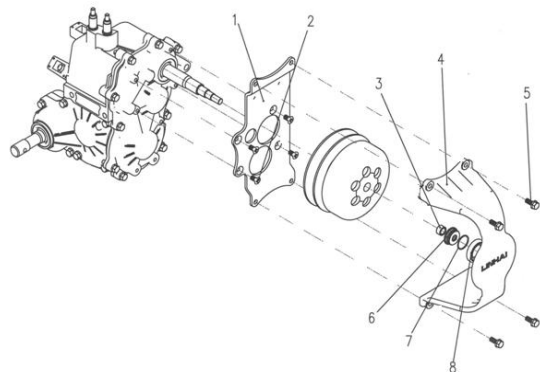
32 CLUTCH

37



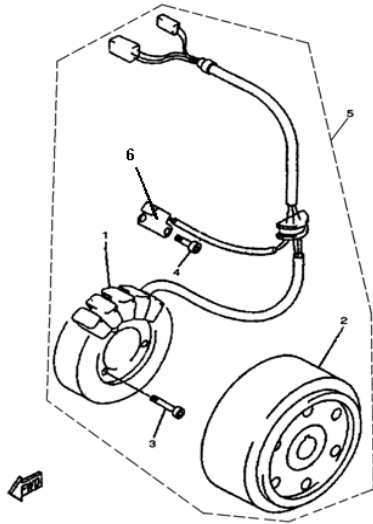
| REF. No. | PART NO. | DESCRIPTION | Q'TY | 图号 | PART NO. | |
|----------|----------|----------------------|------|-----------------|--------------|------|
| 1 | 27251 | CLUTCH HOUSING COM | 1 | LH180MQ.9.2.3 | | 4201 |
| 2 | 23802 | NUT M14X1 | 1 | 170M.9-2 | 1L009000002 | 4202 |
| 3 | 23803 | PRIMARY SLIDING SHEA | 1 | 170M.9.1.1 | 1L009010100 | 4203 |
| 4 | 23804 | OIL SEAL | 2 | 170M.9.1-5 | 1L009010005 | 4204 |
| 5 | 23805 | WEIGHT | 8 | 170M.9.1.2 | 1L009010200 | 4205 |
| 6 | 27246 | CAM | 1 | LH180MQ.9.1-4 | | 4206 |
| 7 | 23807 | SLIDER | 4 | 170M.9.1-1 | 1L009010001 | 4207 |
| 8 | 23808 | O-RING 118X2.5 | 1 | 170M.9.1-6 | 1L009010006 | 4208 |
| 9 | 23809 | STOPPER | 1 | 170M.9.1-2 | 1L009010002 | 4209 |
| 10 | 10132 | PAN HEAD SCREW M4X | 4 | GB818 | B02020412 | 4210 |
| 11 | 23811 | SPACER 1 | 4 | 170M.9.1-3 | 1L009010003 | 4211 |
| 12 | 27252 | COLLAR | 1 | LH180MQ.9-1 | | 4212 |
| 13 | 23813 | WASHER PLATE 4 | 4 | 170M.9.1-8 | 1L009010008 | 4213 |
| 14 | 23814 | WASHER PLATE 14 | 1 | 170M.9-3 | 1L009000003 | 4214 |
| 15 | 23815 | V-BELT | 1 | 170M.9-4 | 1L009000004 | 4215 |
| 16 | 27247 | SHEAVE PRIMARY FIXE | 1 | LH180MQ.9.1-7 | | 4216 |
| 17 | 23802 | NUT M14X1 | 1 | 170M.9-2 | 1L009000002 | 4217 |
| 18 | 23818 | SECONDARY FIXED SHE | 1 | 170M.9.2.1.1 | 1L0090201010 | 4218 |
| | | | | 170M.9.2.1-5 | 1L009020105 | 4219 |
| | | | | 170M.9.2.1-6 | 1L009020106 | 4220 |
| | | | | 170M.9.2.1-7 | 1L009020107 | 4221 |
| | | | | 170M.9.2.1-8 | 1L009020108 | 4222 |
| 19 | 23819 | SECONDARY SLIDING S | 1 | 170M.9.2.1.2 | 1L0090201020 | 4223 |
| 20 | 23820 | OIL SEAL | 2 | 170M.9.2.1-4 | 1L009020104 | 4224 |
| 21 | 23821 | O-RING 45X1.8 | 2 | 170M.9.2.1-3 | 1L009020103 | 4225 |
| 22 | 23822 | PIN GUIDE | 4 | 170M.9.2.1-2 | 1L009020102 | 4226 |
| 23 | 23923 | COMPRESSION SPRING | 1 | 170M.9.2-1 | 1L009020001 | 4227 |
| 24 | 23924 | SEAT SECONDARY SPR | 1 | 170M.9.2.1-1 | 1L009020101 | 4228 |
| 25 | 27249 | CLUTCH CARRIER ASSY | 1 | LH180MQ.9.2.2 | | 4229 |
| 26 | 27250 | CLUTCH WEIGHT SPRIN | 3 | LH180MQ.9.2.2-4 | | 4230 |
| 27 | 10133 | CIRCLIP 8 | 3 | GB896-8 | B036308 | 4231 |
| 28 | 23928 | NUT M36X1.5 | 1 | 170M.9.2-2 | 1L009020002 | 4232 |
| 29 | 27248 | DRIVEN ASSY COMPLE | 1 | LH180MQ.9.2 | | 4233 |
| 30 | 27254 | DRIVE ASSY COMPLET | 1 | LH180NMQ.9.1 | | 4234 |
| 31 | 27253 | WASHER PLATE 21.5 | 1 | LH180MQ.9-5 | | 4235 |

HIGH-POWER CLUTCH STAND ASSY



| REF. No. | PART NO. | DESCRIPTION | Q'TY | 图号 | PART NO. | |
|----------|----------|-----------------|------|----------------------------|-------------|------|
| 1 | 23941 | BRACKET 1 | 1 | LH260ATV.14.3.18E014030100 | 4301 | |
| 2 | 10424 | SWCREW M8X12 | 4 | GB/T819 | B02030812 | 4302 |
| 3 | 23942 | SMALL SPACER | 1 | LH260ATV.14.3-28E014030002 | 4303 | |
| 4 | 23943 | BRACKET 2 | 1 | LH260ATV.14.3-8E014030001 | 4304 | |
| 5 | 10425 | BOLT M8X22 | 4 | GB/T16674.1 | B01040822 | 4305 |
| 6 | 23944 | SPACER | 1 | 170M.18-6 | 1L018000006 | 4306 |
| 7 | 10321 | O-RING 26.5X1.8 | 1 | GB/T3452.1 | B121265180 | 4307 |
| 8 | 10426 | BEARING 6906Z | 1 | GB/T276 | B1316906 | 4308 |

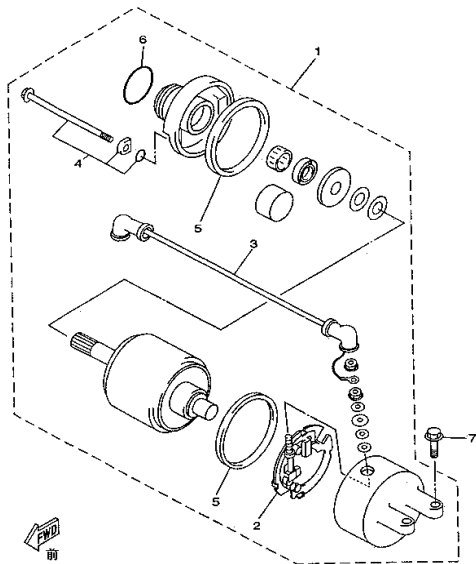
33 GENERATOR



39 (1)

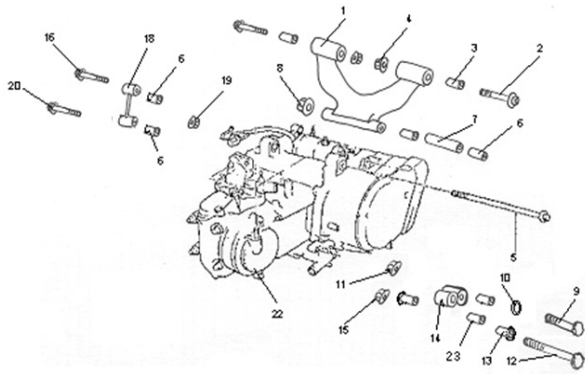
| REF. No. | PART NO. | DESCRIPTION | Q'TY | 图号 | PART NO. | |
|----------|----------|---------------------|------|---------------|---------------|------|
| 1 | 24001 | STATOR ASSY (THE C | 1 | 170M.6.1.2 | 1L006010200 | 4401 |
| 2 | 27244 | ROTOR ASSY (GREE | 1 | LH180MQ.6.1.1 | | 4402 |
| 3 | 10134 | SOCKET HEAD BOLT M€ | 3 | GB70 | B02010525 | 4403 |
| | 10085 | SOCKET HEAD BOLT M€ | 3 | GB70 | B02010625 | 4404 |
| 4 | 10135 | SOCKET HEAD BOLT M€ | 2 | GB70 | B02010512 | 4405 |
| 5 | 27243 | GENERATOR ASSY | 1 | LH180MQ.6.1 | | 4406 |
| 6 | 24006 | PICK UP COIL | 1 | 170M.6.1.2.2 | 1L0060102020(| 4407 |

34 STARTING MO'



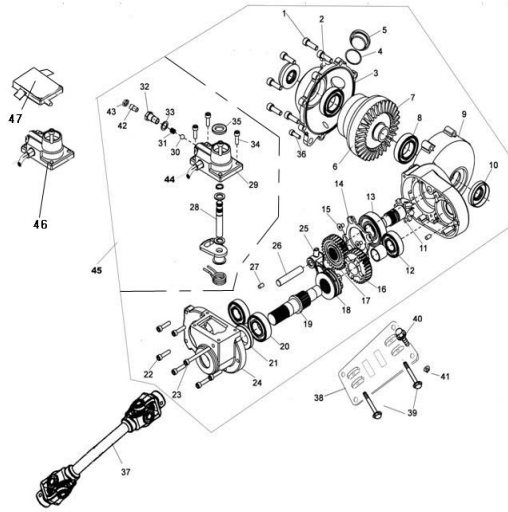
| REF. No. | PART NO. | DESCRIPTION | Q'TY | 图号 | PART NO. | |
|----------|----------|---------------------|------|-----------|-------------|------|
| 1 | 24101 | STARTING MOTOR ASS' | 1 | 170M.16 | 1L016000000 | 4501 |
| 2 | 24102 | BRUSH HOLD ASSY | 1 | 170M.16.4 | 1L016040000 | 4502 |
| 3 | 24103 | CORD,STARTER MOTOF | 1 | 170M.16.2 | 1L016020000 | 4503 |
| 4 | 24104 | BOLT | 2 | 170M.16-2 | 1L016000002 | 4504 |
| 5 | 24105 | GASKET | 2 | 170M.16-3 | 1L016000003 | 4505 |
| 6 | 24106 | O-RING 24.5X3 | 1 | 170M.16-1 | 1L016000001 | 4506 |
| 7 | 24107 | FLANGE BOLT M6X25 | 2 | 170M.4-6 | 1L004000006 | 4507 |

35 ENGINE



| REF. No. | PART NO. | DESCRIPTION | Q'TY | 图号 | PART NO. | |
|----------|----------|---------------------|------|-----------------|-------------|------|
| 1 | 27291 | FRONT ENGINE MOUNT | 1 | LH400ATV.20.1.1 | | 4601 |
| 2 | 24202 | ENGINE BRACKET BOLT | 2 | LH260ATV.20.2 | 8E020000002 | 4602 |
| 3 | 24203 | BUSHING ENGIN BRAC | 2 | LH260ATV.20.1.2 | 8E020010200 | 4603 |
| 4 | 10136 | NUT M12X1.25 | 2 | GB/T6187 | B015512A | 4604 |
| 5 | 27294 | ENGINE MOUNTING BOI | 1 | LH400ATV.20-2 | | 4605 |
| 6 | 24206 | BUSHING ENGIN BRAC | 4 | LH260ATV.20.1.3 | 8E020010300 | 4606 |
| 7 | 27293 | SPACER ENGINE BRAC | 1 | LH400ATV.20-1 | 2W006010001 | 4607 |
| 8 | 10015 | NUT M10X1.25 | 1 | GB/T6187 | B015510A | 4608 |
| 9 | 10016 | BOLT M10X1.25X55 | 1 | GB/T5785 | B01071055A | 4609 |
| 10 | 27295 | WASHER | 1 | LH400ATV.20-3 | | 4610 |
| 11 | 10015 | NUT M10X1.25 | 1 | GB/T6187 | B015510A | 4611 |
| 12 | 10137 | BOLT M8X120 | 1 | GB/T5782 | B010608120 | 4612 |
| 13 | 24213 | LEFT SPACER | 2 | LH260ATV.20-3 | 8E020000003 | 4613 |
| 14 | 24214 | STAY ENGINE LEFT | 1 | LH260ATV.20.2 | 8E020020000 | 4614 |
| 15 | 10079 | NUT M8 | 1 | GB/T6187 | B015508 | 4615 |
| 16 | 10138 | BOLT M10X1.25X68 | 1 | GB/T5785 | B01071068A | 4616 |
| 18 | 24218 | STAY ENGINE RIGHT | 1 | LH260ATV.20.3 | 8E020030000 | 4617 |
| 19 | 10015 | NUT M10X1.25 | 1 | GB/T6187 | B015510A | 4618 |
| 20 | 10139 | BOLT M8X65 | 1 | GB/T5782 | B01060865 | 4619 |
| 22 | 27218 | ENGINE ASSY | 1 | LH180MQ | | 4620 |
| 23 | 24223 | BUSHING | 2 | LH260ATV.20.2.2 | 8E020020200 | 4621 |

36 FRONT GEAR-BOX (FOR 4WD)

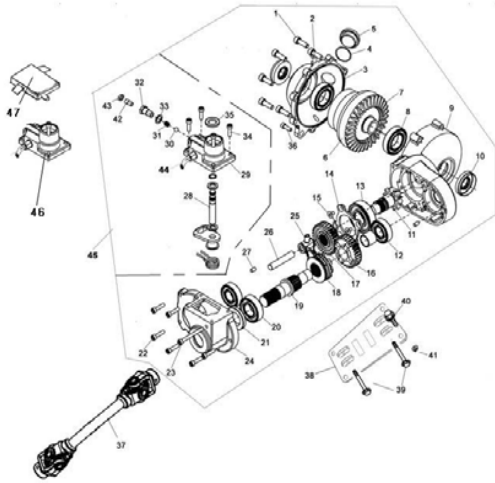


42

| REF. No. | PART NO. | DESCRIPTION | Q'TY | 图号 | PART NO. | |
|----------|----------|----------------------|------|---------------|-------------|------|
| 1 | 10059 | BOLT M8X25 | 7 | GB/T5787 | B01040825 | 4701 |
| 2 | 24302 | VENT FITTING | 1 | LH260ATV.12.3 | 8E012030000 | 4702 |
| 3 | 24303 | LEFT COVER | 1 | LHTY.1-1 | T1000001 | 4703 |
| 4 | 10122 | O-RING 18X2.65 | 1 | GB/T3452.1 | B121180265 | 4704 |
| 5 | 24305 | DIFF FILLERPLUG | 1 | 153FM.16-3 | 1H016000003 | 4705 |
| 6 | 24306 | FOC BODY | 1 | LHTY.1.1 | T1010000 | 4706 |
| 7 | 24307 | BEVEL CROWNWHEEL | 1 | LHTY.1-2 | T1000002 | 4707 |
| 8 | 10202 | BEAR 6006 | 2 | GB/T276 | B1316006 | 4708 |
| 9 | 24309 | DIFFCASE RHS | 1 | LHTY.1-3 | T1000003 | 4709 |
| 10 | 24310 | SEAL SDD722X48X11 | 2 | LHTY.1.2 | T1020000 | 4710 |
| 11 | 24311 | CONICAL WITH HELICAL | 1 | LHTY.1-4 | T1000004 | 4711 |
| 12 | 10062 | BEAR 6204 | 2 | GB/T276 | B1316204 | 4712 |
| 13 | 10074 | BEAR 6305ST | 1 | GB/T276 | B1316305 | 4713 |
| 14 | 24314 | CASEBEAR RETAINER | 1 | LHTY.1-5 | T1000005 | 4714 |
| 15 | 10287 | SCREW M6X12 | 4 | GB/T2673 | B02060612 | 4715 |
| 16 | 24316 | DIFF GEAR | 1 | LHTY.1.3 | T1030000 | 4716 |
| 17 | 24317 | DIFF GEAR DRIVEN | 1 | LHTY.1-6 | T1000006 | 4717 |
| 18 | 24318 | SPLINED DOG | 1 | LHTY.1-7 | T1000007 | 4718 |
| 19 | 24319 | DIFF INPUTSHAFT A | 1 | LHTY.1-8 | T1000008 | 4719 |
| 20 | 10267 | BEAR 6205 | 1 | GB/T276 | B1316205 | 4720 |
| 21 | 24321 | SEAL TC25X47X7 | 1 | LHTY.1.4 | T1040000 | 4721 |
| 22 | 10182 | BOLE M6X30 | 6 | GB/T5787 | B01040630 | 4722 |
| 23 | 10160 | BOLE M6X70 | 1 | GB/T5787 | B01040670 | 4723 |
| 24 | 24324 | REAR COVER | 1 | LHTY.1-9 | T1000009 | 4724 |
| 25 | 24325 | DIFF SELECTOR FORK | 1 | LHTY.1-10 | T1000010 | 4725 |
| 26 | 24326 | SELECTOR RAIL | 1 | LHTY.1-11 | T1000011 | 4726 |
| 27 | 24327 | PIN | 1 | LHTY.1-12 | T1000012 | 4727 |
| 28 | 24328 | SELECTOR SHAFT | 1 | LHTY.1.5 | T1050000 | 4728 |

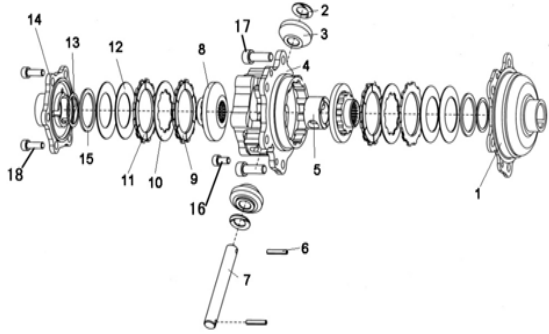
43

36 FRONT GEAR-BOX (FOR 4WD)



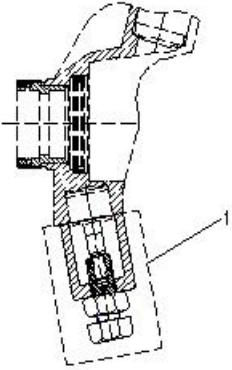
| REF. No. | PART NO. | DESCRIPTION | Q'TY | 图号 | PART NO. | |
|----------|----------|---------------------|------|---------------|-------------|------|
| 29 | 24429 | SELECTOR COVER | 1 | LHTY.1-13 | T1000013 | 4801 |
| 30 | 10203 | STEEL BALL 8 | 1 | GB/T308 | B14108 | 4802 |
| 31 | 24431 | SPRING | 1 | LHTY.1-14 | T1000014 | 4803 |
| 32 | 24433 | INDENT BALL INSERT | 1 | LHTY.1-15 | T1000015 | 4804 |
| 33 | 24432 | WASHER | 1 | LHTY.1-16 | T1000016 | 4805 |
| 34 | 10183 | BOLT M6X16 | 4 | GB/T5787 | B01040616 | 4806 |
| 35 | 24435 | SEAL TC12X28X7 | 1 | LHTY.1.6 | T1060000 | 4807 |
| 36 | 10168 | BOLT M8X16 | 1 | GB/T5787 | B01040816 | 4808 |
| 37 | 24437 | FRONT PROPSHAFT AS | 1 | LH260ATV.13.3 | 8E013030000 | 4809 |
| 38 | 24438 | FRONT GEAR-BOX BACI | 1 | LH260ATV.1.16 | 8E001160000 | 4810 |
| 39 | 10208 | BOLT M10X1.25X43 | 2 | GB/T5787 | B01041043A | 4811 |
| 40 | 10163 | BOLT M10X1.25X20 | 4 | GB/T5787 | B01041020A | 4812 |
| 41 | 10209 | NUT M10 | 6 | GB/T6184 | B015310 | 4813 |
| 42 | 10355 | BOLT M8X1X16 | 1 | GB/T73-85 | B02070816 | 4814 |
| 43 | 10356 | NUT M8X1 | 1 | GB/T6173-86 | B016008 | 4815 |
| 44 | 24444 | 4WD AND 2WD SWITCH | 1 | LHTY.1.7 | T1070000 | 4816 |
| 45 | 24445 | FRONT GEAR-BOX | 1 | LHTY.1 | T1000000 | 4817 |
| 46 | 24446 | 2WD/4WD SHIFT MOTOF | 1 | LHTY.1.8.1 | T1080100 | 4818 |
| 47 | 24447 | 2WD/4WD SHIFT ELECT | 1 | LHTY.1.8.2 | T1080200 | 4819 |

39 FOC BODY (FOR 4WD)



| REF. No. | PART NO. | DESCRIPTION | Q'TY | 图号 | PART NO. | |
|----------|----------|--------------------|------|-------------|-----------|------|
| 1 | 24701 | LARGER COVER | 1 | LHTY.1.1-14 | T1010014 | 4901 |
| 2 | 24702 | WASHER | 2 | LHTY.1.1-2 | T1010002 | 4902 |
| 3 | 24703 | PINION | 2 | LHTY.1.1-3 | T1010003 | 4903 |
| 4 | 24704 | HOUSING | 1 | LHTY.1.1-1 | T1010001 | 4904 |
| 5 | 24705 | CENTER SPACER | 1 | LHTY.1.1-5 | T1010005 | 4905 |
| 6 | 10003 | ROLL PIN | 2 | GB/T879 | B03134022 | 4906 |
| 7 | 24707 | CENTER PIN | 2 | LHTY.1.1-4 | T1010004 | 4907 |
| 8 | 24708 | BEVEL GEAR | 2 | LHTY.1.1-7 | T1010007 | 4908 |
| 9 | 24709 | CLUTCH PLATE OUTER | 2 | LHTY.1.1-12 | T1010012 | 4909 |
| 10 | 24710 | CLITCH PLATE INNER | 2 | LHTY.1.1-13 | T1010013 | 4910 |
| 11 | 24711 | CLUTCH PLATE OUTER | 2 | LHTY.1.1-11 | T1010011 | 4911 |
| 12 | 24712 | DISHED SPRING | 4 | LHTY.1.1-8 | T1010008 | 4912 |
| 13 | 24713 | WASHER | 2 | LHTY.1.1-10 | T1010010 | 4913 |
| 14 | 24714 | SMALL COVER | 1 | LHTY.1.1-15 | T1010015 | 4914 |
| 15 | 24715 | SPING SEAT | 2 | LHTY.1.1-9 | T1010009 | 4915 |
| 16 | 10083 | SCREW M6X15 | 2 | GB/T70 | B02010615 | 4916 |
| 17 | 10131 | SCREW M8X16 | 6 | GB/T70 | B02010816 | 4917 |
| 18 | 24718 | BOLT M8X15 | 6 | LHTY.1.1-6 | T1010006 | 4918 |

40 SPECIAL TOOL KIT



| REF. No. | PART NO. | DESCRIPTION | Q'TY | 图号 | PART NO. |
|----------|----------|--------------------------------------|------|--------------------|--------------------|
| 1 | 24801 | TOOL FOR BALL JOINT,STRUT REMOVAL | 1 | LH260ATV.3.2.1GJ.1 | 8E0030201GJ01 5001 |